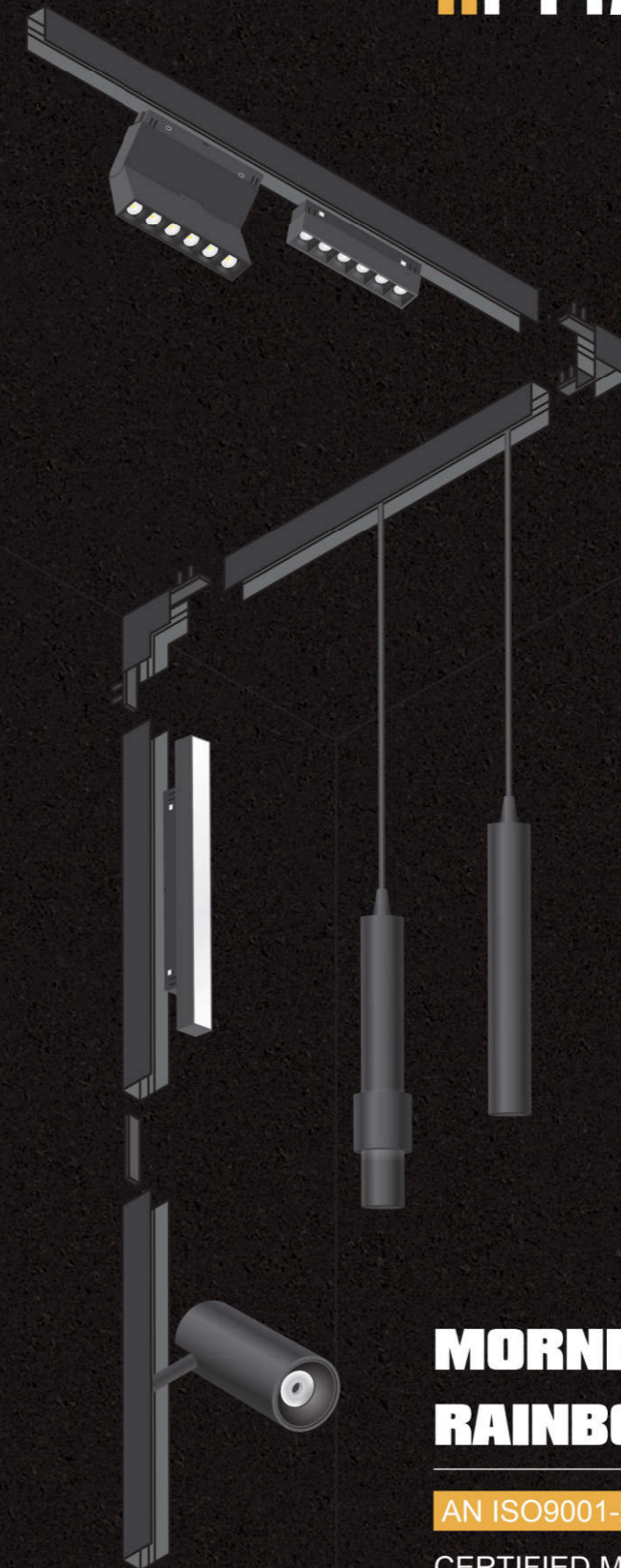


! Due to the printing process, the colors of the actual products may differ from the pictures. For the actual effect please refer to tile samples.

**M-RAINBOW<sup>®</sup>**



**MORNING  
RAINBOW LIGHTING**

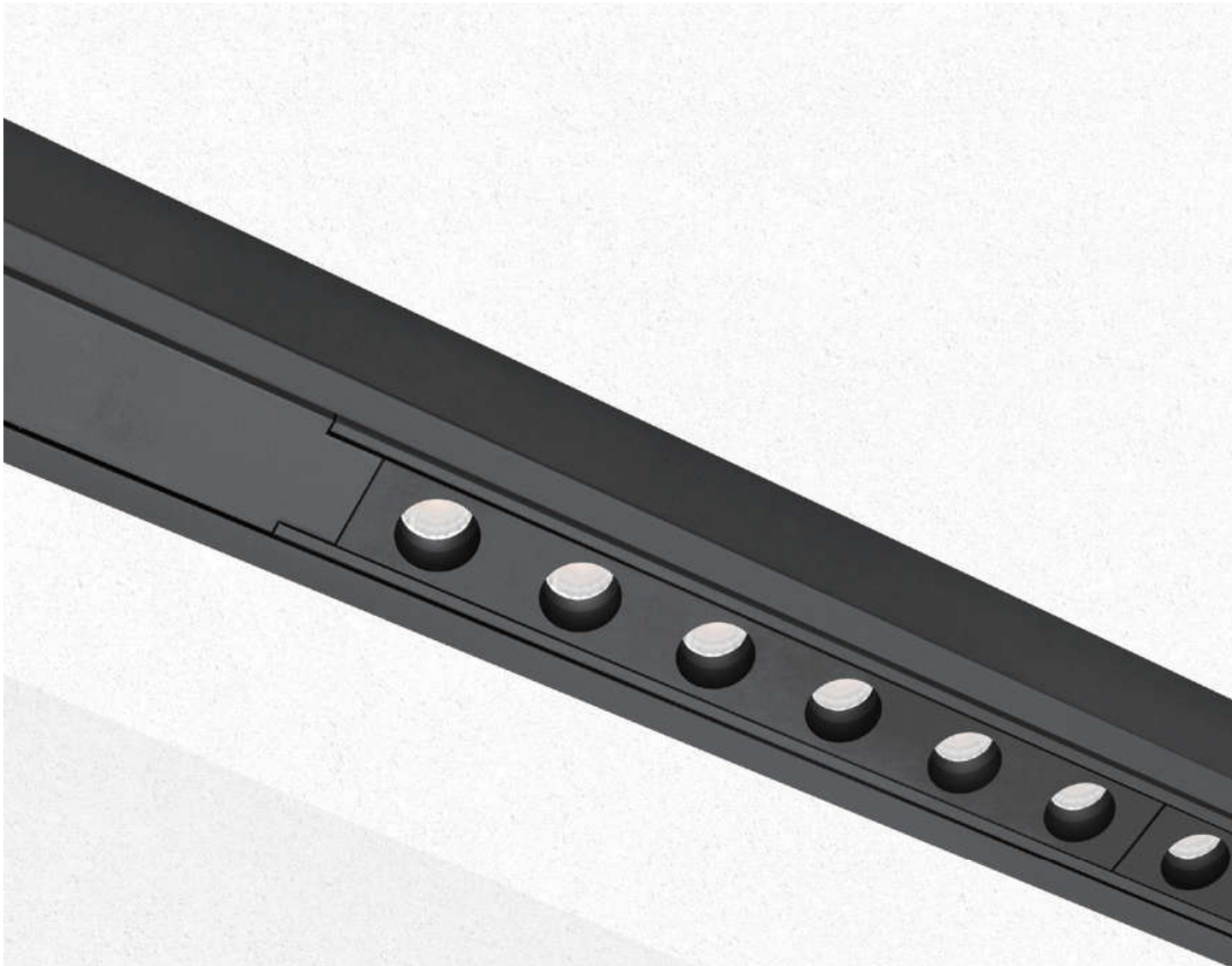
AN ISO9001-2015

CERTIFIED MANUFACTURER  
2020-2021 CATALOG



**HONGKONG MONRING STAR LIGHTING INT CO., LTD.**  
**FOSHAN CHENHONG LIGHTING ELECTRICAL APPLICANCE CO., LTD.**

F3, Bldg.#3, Jiangmei Industrial Zoon Xiaotang, Shishan Town, Nanhai, Foshan City, China  
Tel: +86-757-86636899 81081766  
Fax: +86-757-86633577  
Homepage: [www.cn-starlighting.com](http://www.cn-starlighting.com)  
Email: [info@cn-starlighting.com](mailto:info@cn-starlighting.com)



# Ultra Slim Magnetic Linear Light

**Short**



# Slim



■ BLACK    □ WHITE

| Input | System Power    | LED Power | CRI   | Beam Angle | CCT                |
|-------|-----------------|-----------|-------|------------|--------------------|
| 48V   | 12W / 18W / 24W | OSRAM     | Ra≥90 | 36°        | 3000K,4000K,More.. |



▶ 344mm

Model NO.: **HS26-12TA**      System Power: **12W**



▶ 458mm

Model NO.: **HS26-18TA**      System Power: **18W**



▶ 572mm

Model NO.: **HS26-24TA**      System Power: **24W**

# Slim



■ BLACK    □ WHITE

| Input | System Power    | LED Power | CRI   | Beam Angle | CCT                |
|-------|-----------------|-----------|-------|------------|--------------------|
| 48V   | 10W / 20W / 30W | OSRAM     | Ra≥90 | 120°       | 3000K,4000K,More.. |



▶ 416mm

Model NO.: **HS26-300FA**    System Power: **10W**



▶ 716mm

Model NO.: **HS26-600FA**    System Power: **20W**



▶ 1016mm

Model NO.: **HS26-900FA**    System Power: **30W**



# MAGNETIC GRILLE LIGHT

6W/12W/18W/24W/30W/45W



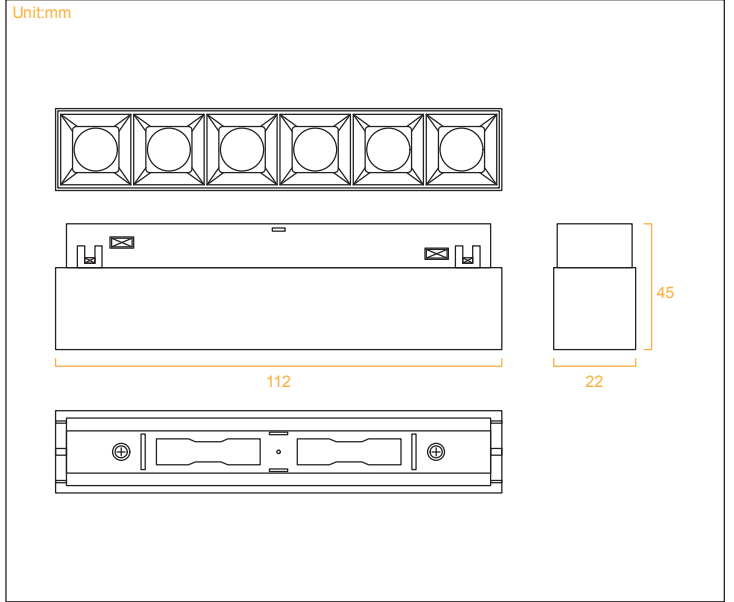
**OSRAM**  
LAMP BEADS



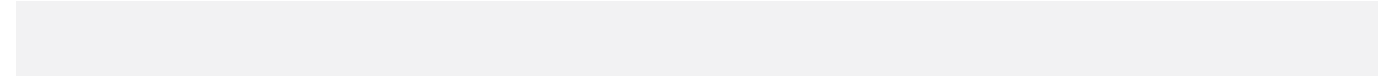
**36°**  
BEAM ANGLE



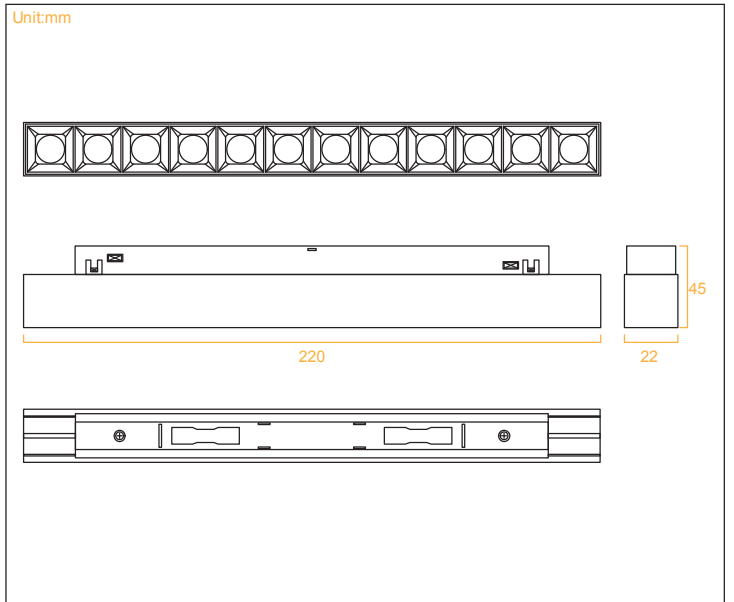
BLACK
  WHITE



| Model NO. | Input | System Power | LED Power | CRI   | Beam Angle | CCT                |
|-----------|-------|--------------|-----------|-------|------------|--------------------|
| HS26-6T   | 48V   | 6W           | OSRAM     | Ra≥90 | 36°        | 3000K,4000K,More.. |



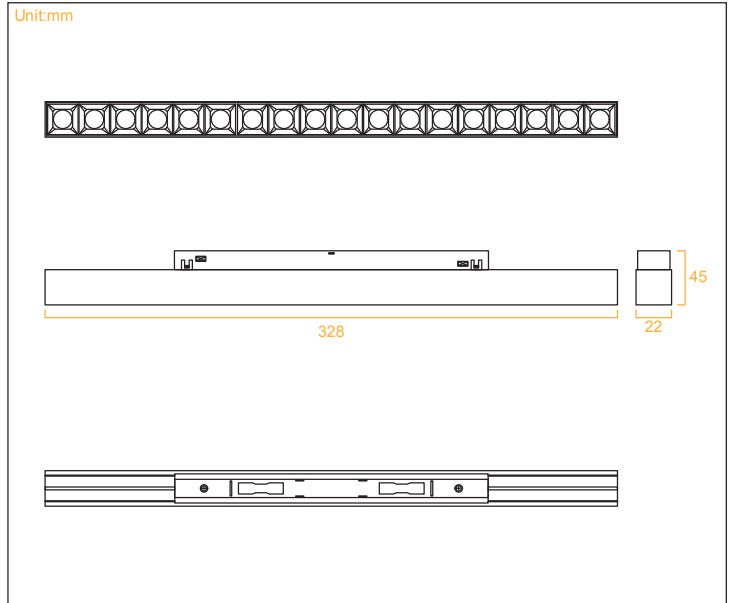
BLACK
  WHITE



| Model NO. | Input | System Power | LED Power | CRI   | Beam Angle | CCT                |
|-----------|-------|--------------|-----------|-------|------------|--------------------|
| HS26-12T  | 48V   | 12W          | OSRAM     | Ra≥90 | 36°        | 3000K,4000K,More.. |



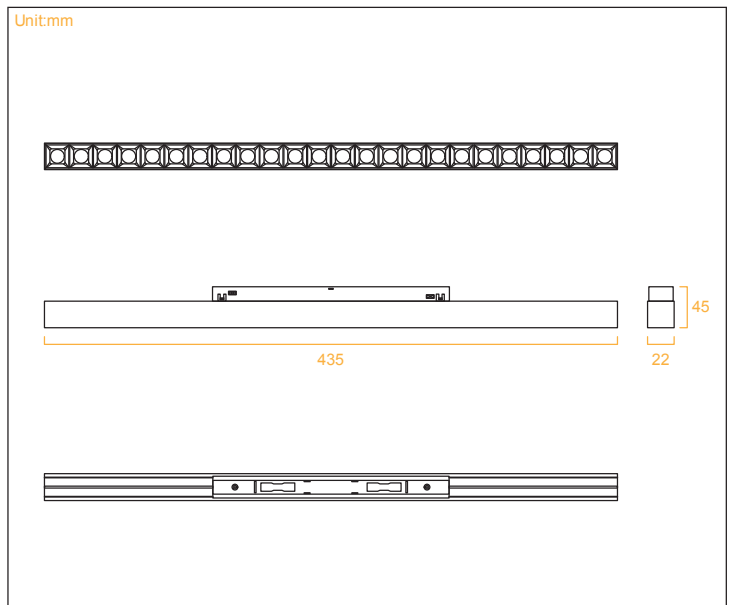
BLACK
  WHITE



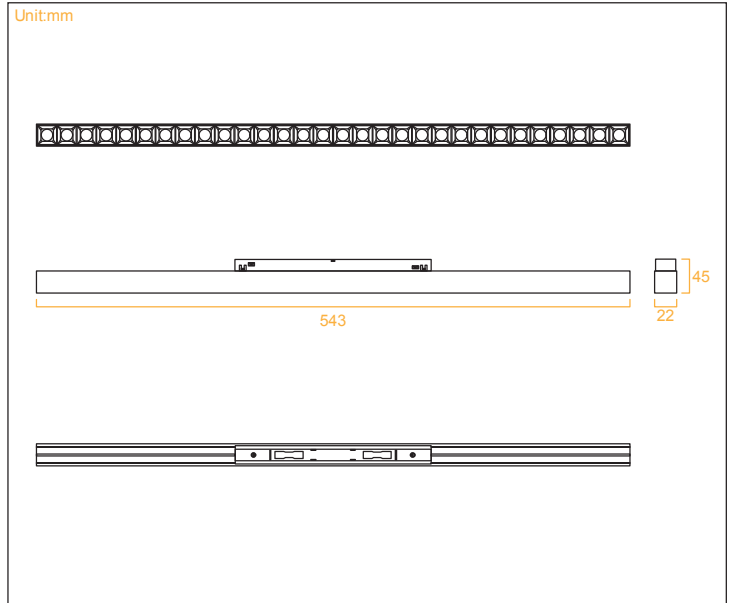
| Model NO. | Input | System Power | LED Power | CRI   | Beam Angle | CCT                |
|-----------|-------|--------------|-----------|-------|------------|--------------------|
| HS26-18T  | 48V   | 18W          | OSRAM     | Ra≥90 | 36°        | 3000K,4000K,More.. |



BLACK
  WHITE

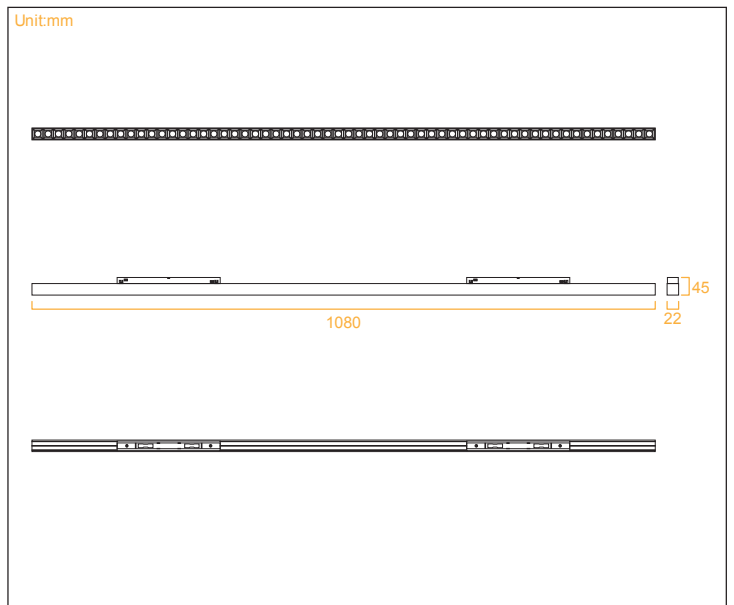
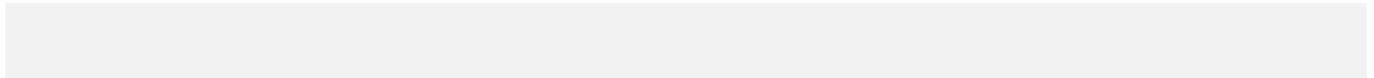


| Model NO. | Input | System Power | LED Power | CRI   | Beam Angle | CCT                |
|-----------|-------|--------------|-----------|-------|------------|--------------------|
| HS26-24T  | 48V   | 24W          | OSRAM     | Ra≥90 | 36°        | 3000K,4000K,More.. |



BLACK
  WHITE

| Model NO. | Input | System Power | LED Power | CRI   | Beam Angle | CCT                |
|-----------|-------|--------------|-----------|-------|------------|--------------------|
| HS26-30T  | 48V   | 30W          | OSRAM     | Ra≥90 | 36°        | 3000K,4000K,More.. |



BLACK
  WHITE

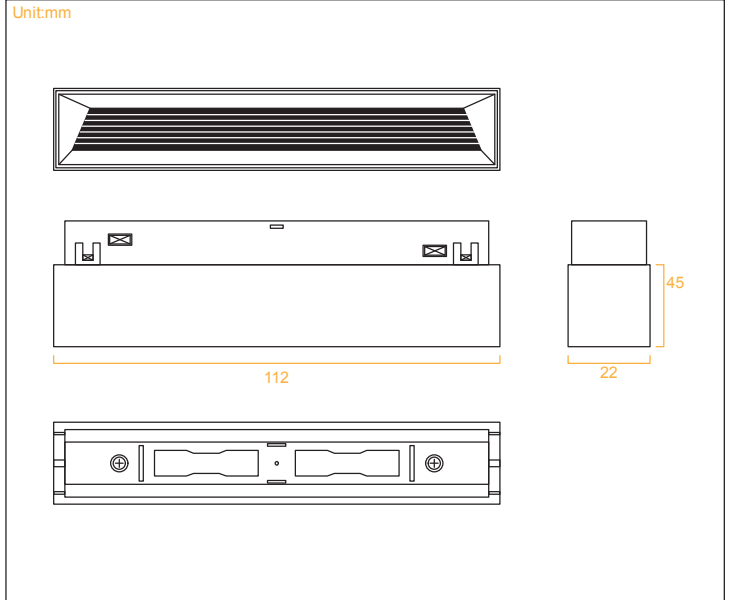
| Model NO. | Input | System Power | LED Power | CRI   | Beam Angle | CCT                |
|-----------|-------|--------------|-----------|-------|------------|--------------------|
| HS26-60T  | 48V   | 45W          | OSRAM     | Ra≥90 | 36°        | 3000K,4000K,More.. |



# MAGNETIC WALL WASH LIGHT

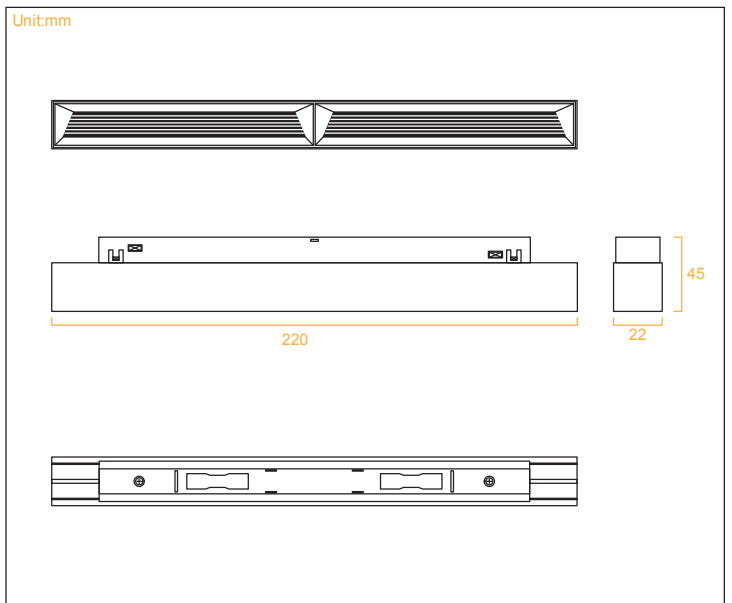
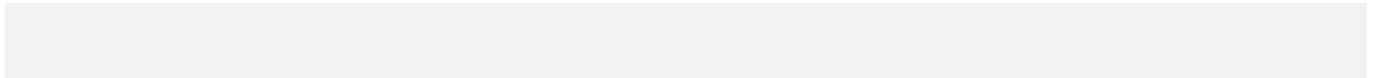
6W/12W/18W/24W/30W/45W





■ BLACK    □ WHITE

| Model NO. | Input | System Power | LED Power | CRI   | Beam Angle | CCT                |
|-----------|-------|--------------|-----------|-------|------------|--------------------|
| HS26-6TP  | 48V   | 6W           | OSRAM     | Ra≥90 | POLARIZED  | 3000K,4000K,More.. |



■ BLACK    □ WHITE

| Model NO. | Input | System Power | LED Power | CRI   | Beam Angle | CCT                |
|-----------|-------|--------------|-----------|-------|------------|--------------------|
| HS26-12TP | 48V   | 12W          | OSRAM     | Ra≥90 | POLARIZED  | 3000K,4000K,More.. |

BLACK
  WHITE

| Input | System Power                      | LED Power | CRI   | Beam Angle | CCT                |
|-------|-----------------------------------|-----------|-------|------------|--------------------|
| 48V   | 6W / 12W / 18W<br>24W / 30W / 45W | OSRAM     | Ra≥90 | POLARIZED  | 3000K,4000K,More.. |



▶ 112mm

Model NO.: **HS26-6TP**      System Power: **6W**



▶ 220mm

Model NO.: **HS26-12TP**      System Power: **12W**



▶ 220mm

Model NO.: **HS26-18TP**      System Power: **18W**



▶ 220mm

Model NO.: **HS26-24TP**      System Power: **24W**



▶ 220mm

Model NO.: **HS26-30TP**      System Power: **30W**

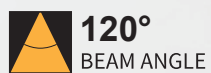


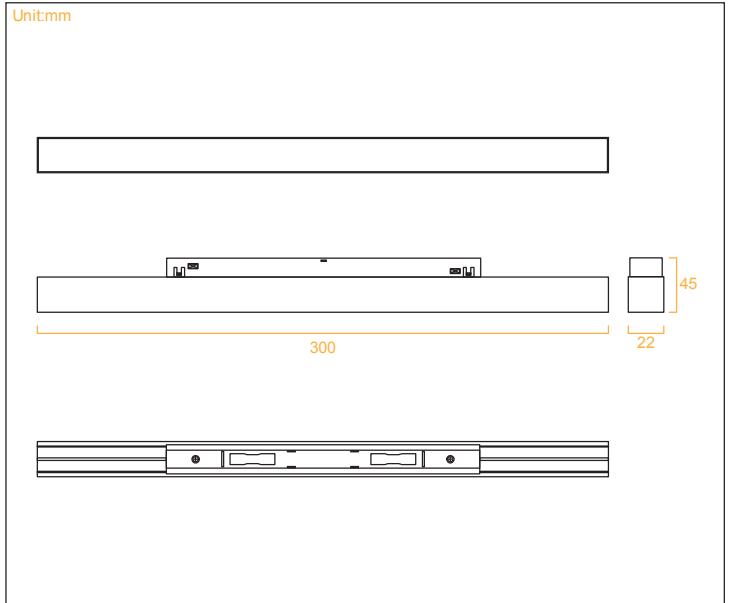
▶ 220mm

Model NO.: **HS26-60TP**      System Power: **45W**

# MAGNETIC FLOOD LIGHT

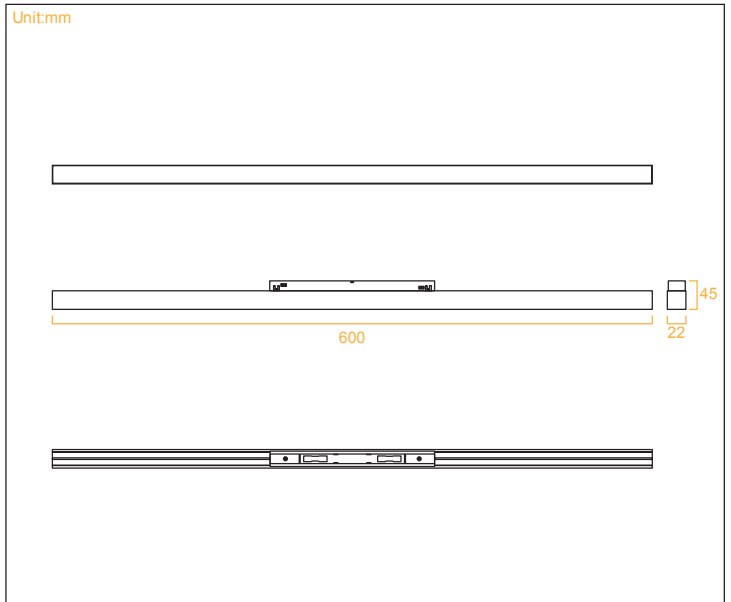
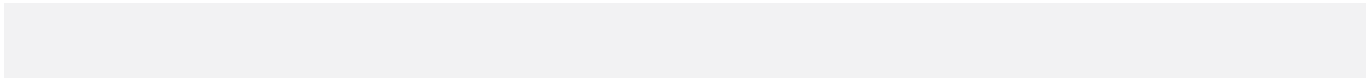
10W/20W/30W





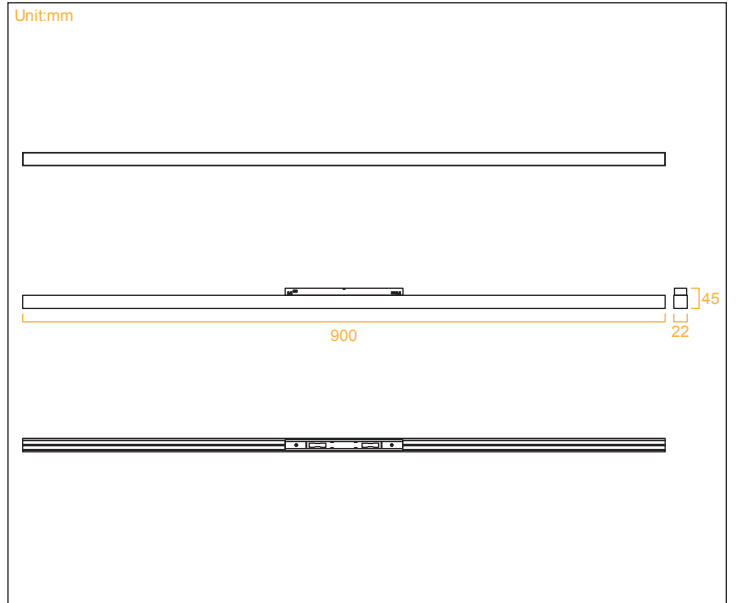
BLACK
  WHITE

| Model NO. | Input | System Power | LED Power | CRI   | Beam Angle | CCT                |
|-----------|-------|--------------|-----------|-------|------------|--------------------|
| HS26-300F | 48V   | 10W          | OSRAM     | Ra≥90 | 150°       | 3000K,4000K,More.. |



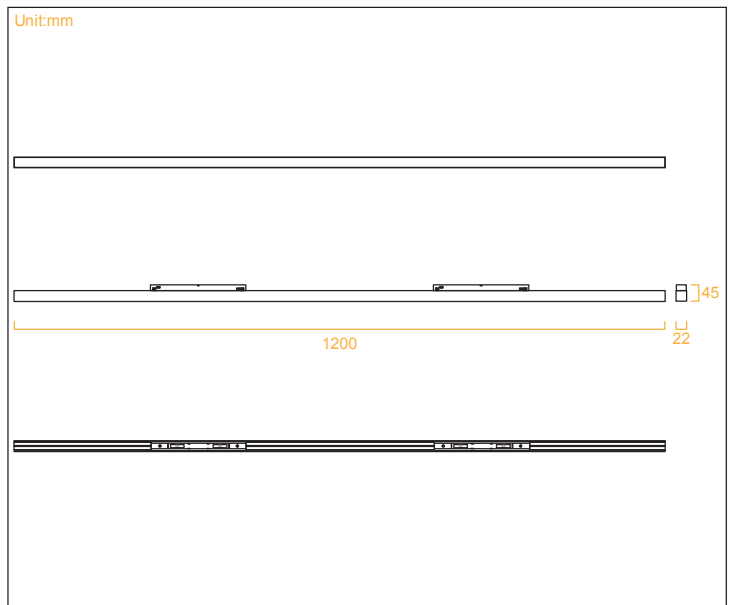
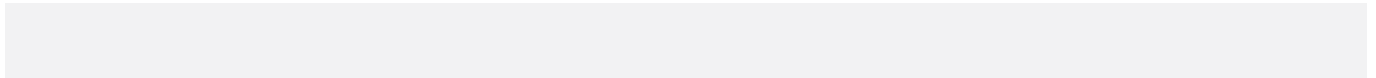
BLACK
  WHITE

| Model NO. | Input | System Power | LED Power | CRI   | Beam Angle | CCT                |
|-----------|-------|--------------|-----------|-------|------------|--------------------|
| HS26-600F | 48V   | 20W          | OSRAM     | Ra≥90 | 150°       | 3000K,4000K,More.. |



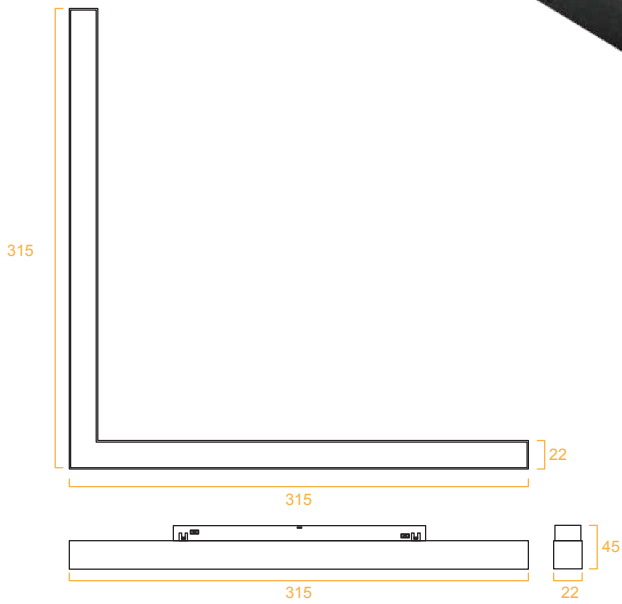
BLACK
  WHITE

| Model NO. | Input | System Power | LED Power | CRI   | Beam Angle | CCT                |
|-----------|-------|--------------|-----------|-------|------------|--------------------|
| HS26-900F | 48V   | 30W          | OSRAM     | Ra≥90 | 150°       | 3000K,4000K,More.. |



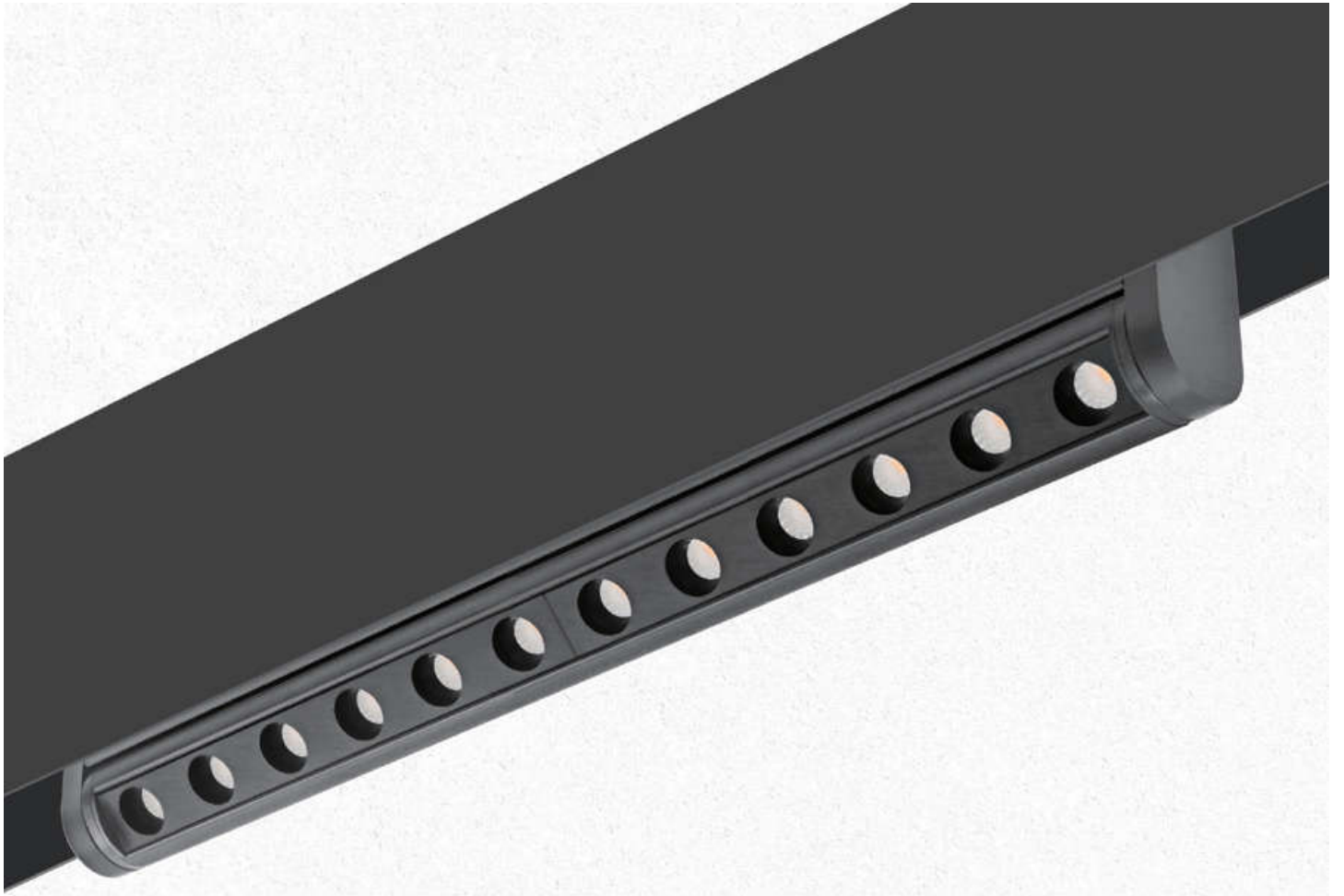
BLACK
  WHITE

| Model NO.  | Input | System Power | LED Power | CRI   | Beam Angle | CCT                |
|------------|-------|--------------|-----------|-------|------------|--------------------|
| HS26-1200F | 48V   | 40W          | OSRAM     | Ra≥90 | 150°       | 3000K,4000K,More.. |



BLACK
  WHITE

| Model NO.   | Input | System Power | LED Power | CRI   | Beam Angle | CCT                |
|-------------|-------|--------------|-----------|-------|------------|--------------------|
| HS26-L-300F | 48V   | 20W          | OSRAM     | Ra≥90 | 150°       | 3000K,4000K,More.. |



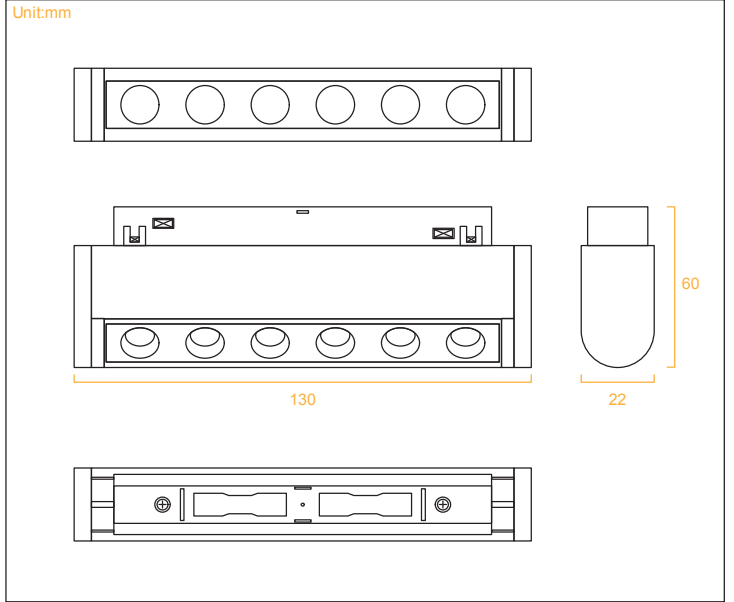
## Adjustable Magnetic Linear Light

 **OSRAM**  
LAMP BEADS

 **36°**  
BEAM ANGLE



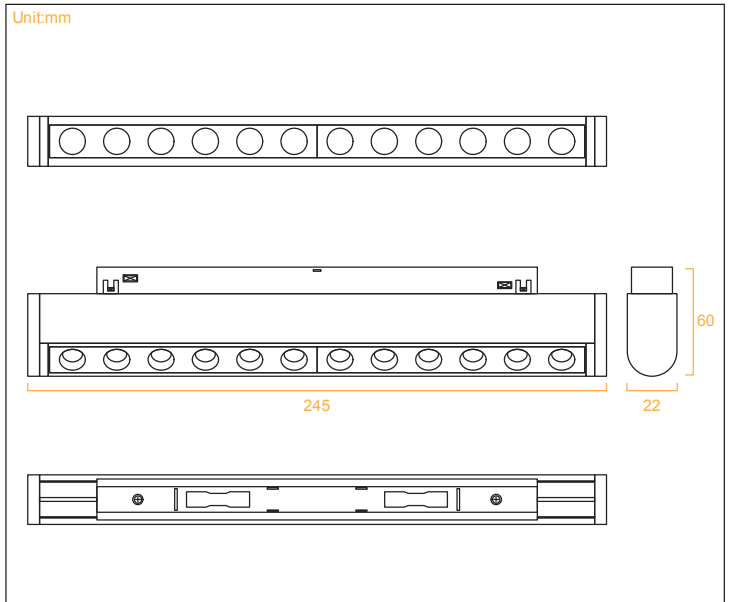
BLACK
  WHITE



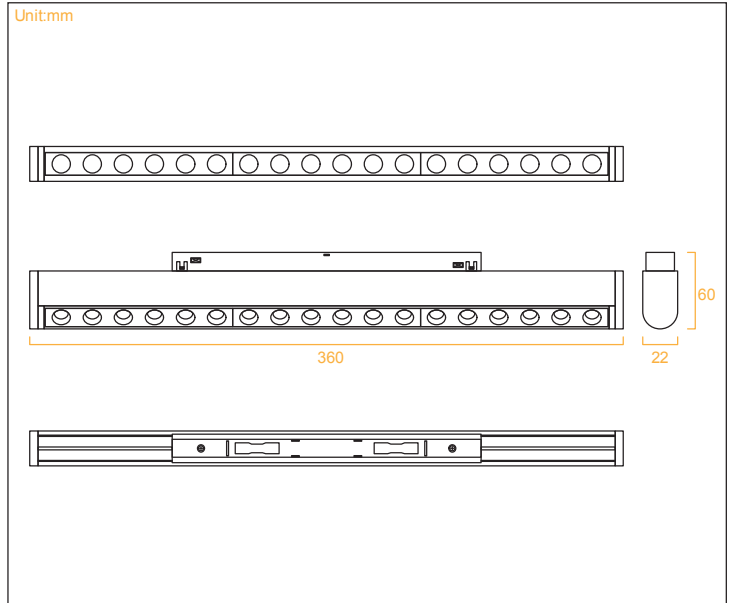
| Model NO. | Input - | System Power | LED Power | CRI - | Beam Angle | CCT -              |
|-----------|---------|--------------|-----------|-------|------------|--------------------|
| HS26-6TX  | 48V     | 6W           | OSRAM     | Ra≥90 | 36°        | 3000K,4000K,More.. |



BLACK
  WHITE

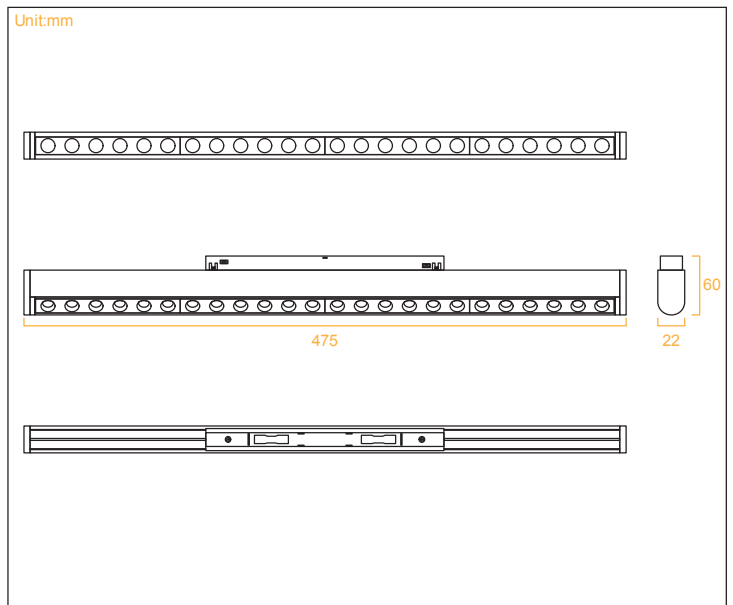
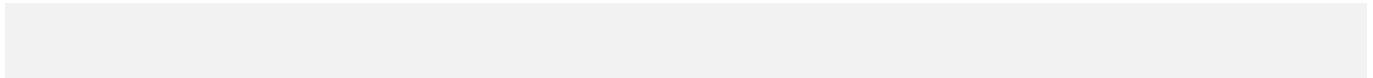


| Model NO. | Input - | System Power | LED Power | CRI - | Beam Angle | CCT -              |
|-----------|---------|--------------|-----------|-------|------------|--------------------|
| HS26-12TX | 48V     | 12W          | OSRAM     | Ra≥90 | 36°        | 3000K,4000K,More.. |



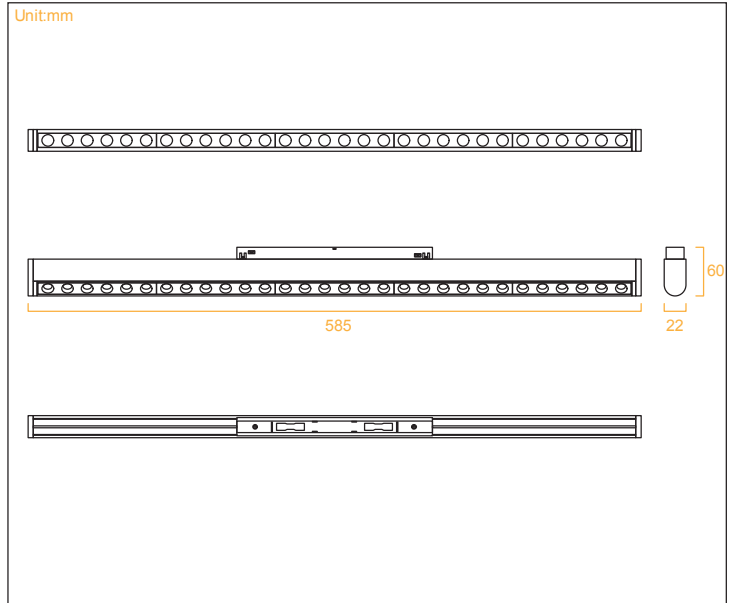
BLACK
  WHITE

| Model NO. | Input | System Power | LED Power | CRI   | Beam Angle | CCT                |
|-----------|-------|--------------|-----------|-------|------------|--------------------|
| HS26-18TX | 48V   | 18W          | OSRAM     | Ra≥90 | 36°        | 3000K,4000K,More.. |



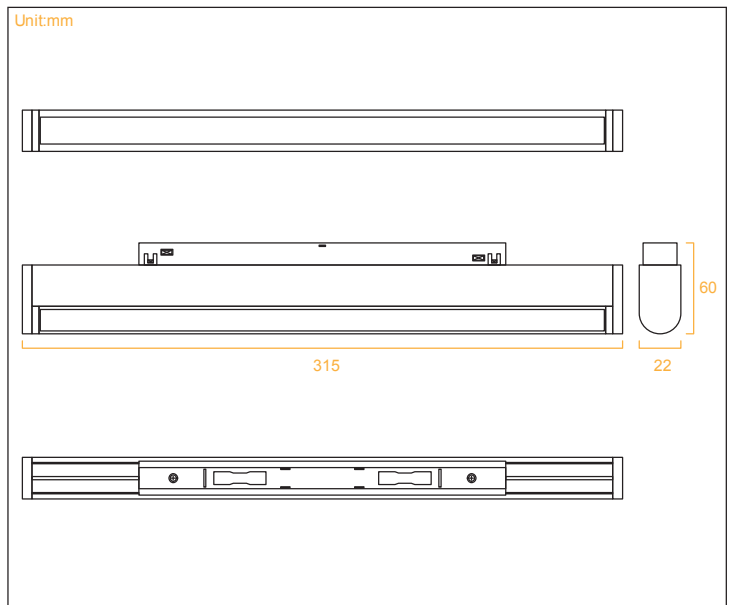
BLACK
  WHITE

| Model NO. | Input | System Power | LED Power | CRI   | Beam Angle | CCT                |
|-----------|-------|--------------|-----------|-------|------------|--------------------|
| HS26-24TX | 48V   | 24W          | OSRAM     | Ra≥90 | 36°        | 3000K,4000K,More.. |



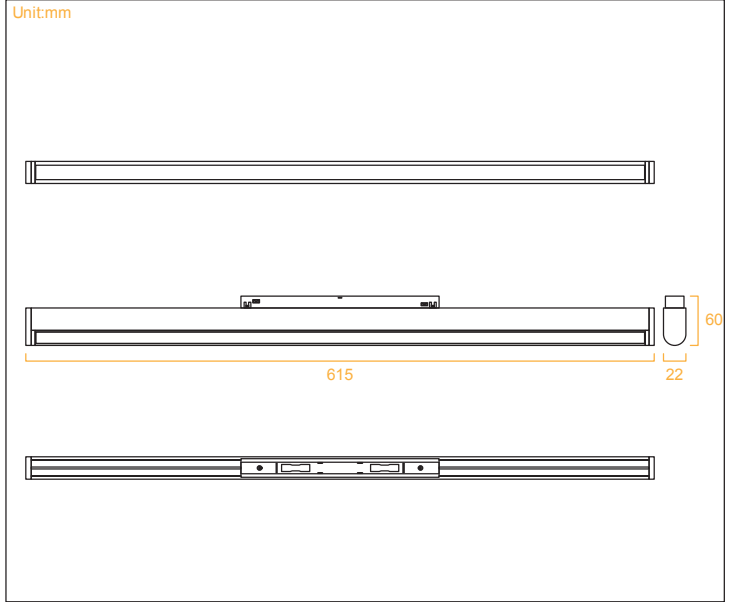
BLACK
  WHITE

| Model NO. | Input | System Power | LED Power | CRI   | Beam Angle | CCT                |
|-----------|-------|--------------|-----------|-------|------------|--------------------|
| HS26-30TX | 48V   | 30W          | OSRAM     | Ra≥90 | 36°        | 3000K,4000K,More.. |



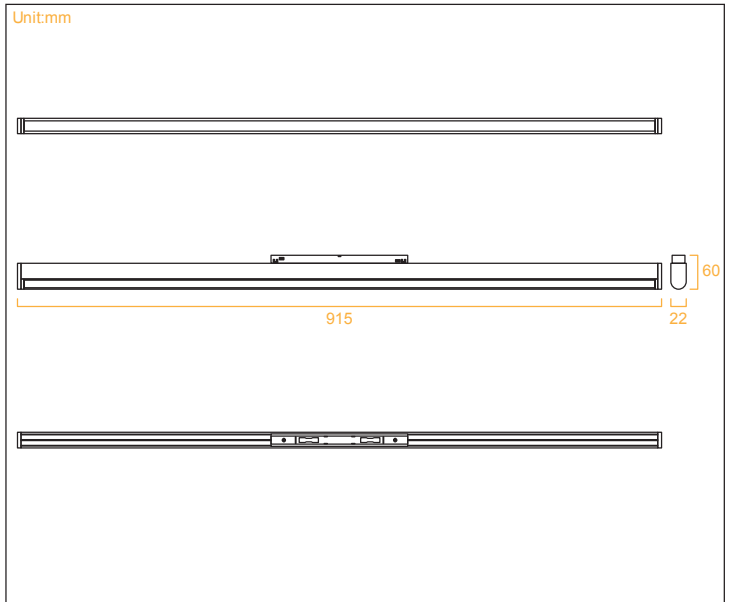
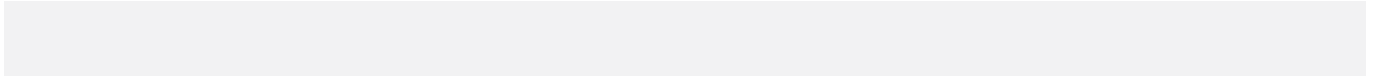
BLACK
  WHITE

| Model NO.  | Input | System Power | LED Power | CRI   | Beam Angle | CCT                |
|------------|-------|--------------|-----------|-------|------------|--------------------|
| HS26-300FX | 48V   | 10W          | OSRAM     | Ra≥90 | 120°       | 3000K,4000K,More.. |



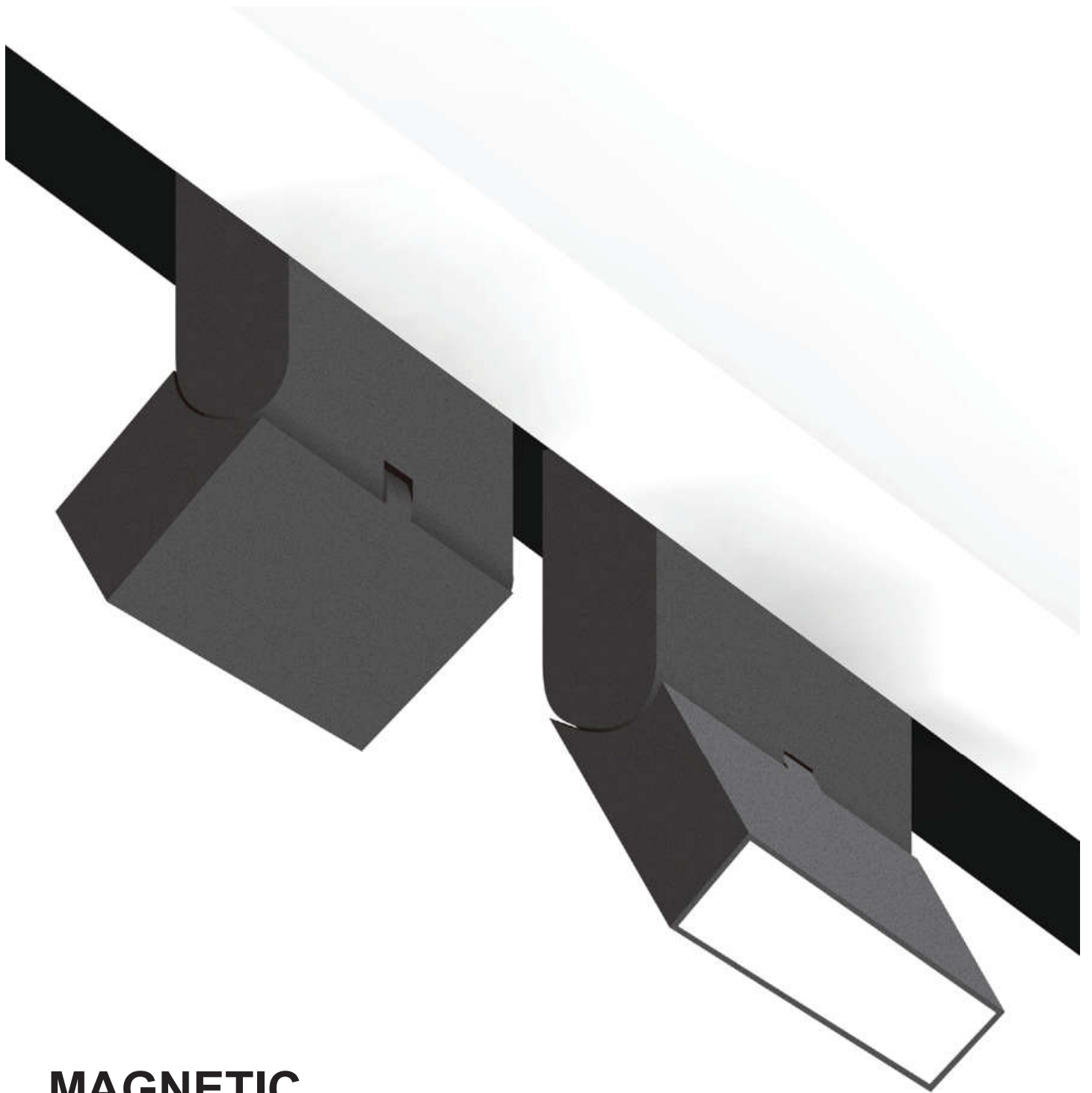
BLACK
  WHITE

| Model NO.  | Input | System Power | LED Power | CRI   | Beam Angle | CCT                |
|------------|-------|--------------|-----------|-------|------------|--------------------|
| HS26-600FX | 48V   | 20W          | OSRAM     | Ra≥90 | 120°       | 3000K,4000K,More.. |



BLACK
  WHITE

| Model NO.  | Input | System Power | LED Power | CRI   | Beam Angle | CCT                |
|------------|-------|--------------|-----------|-------|------------|--------------------|
| HS26-900FX | 48V   | 30W          | OSRAM     | Ra≥90 | 120°       | 3000K,4000K,More.. |



# MAGNETIC FOLDING LIGHT



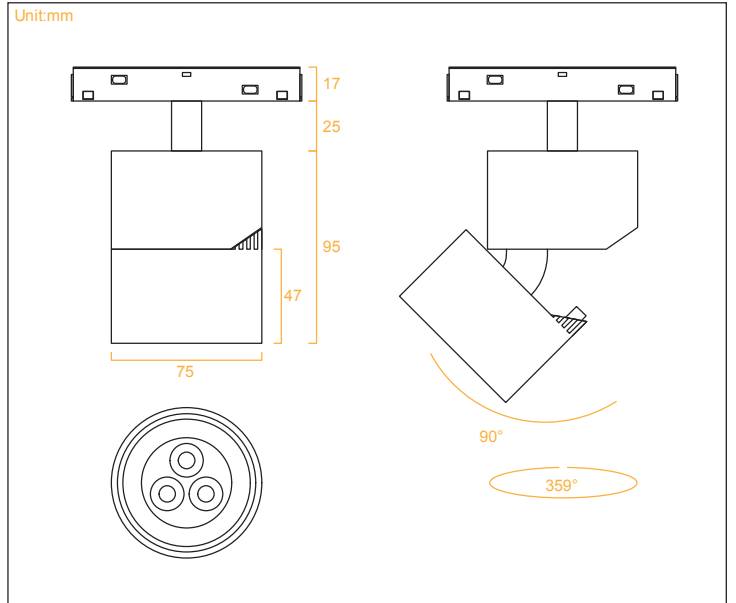
**OSRAM**  
LAMP BEADS



**150°**  
BEAM ANGLE



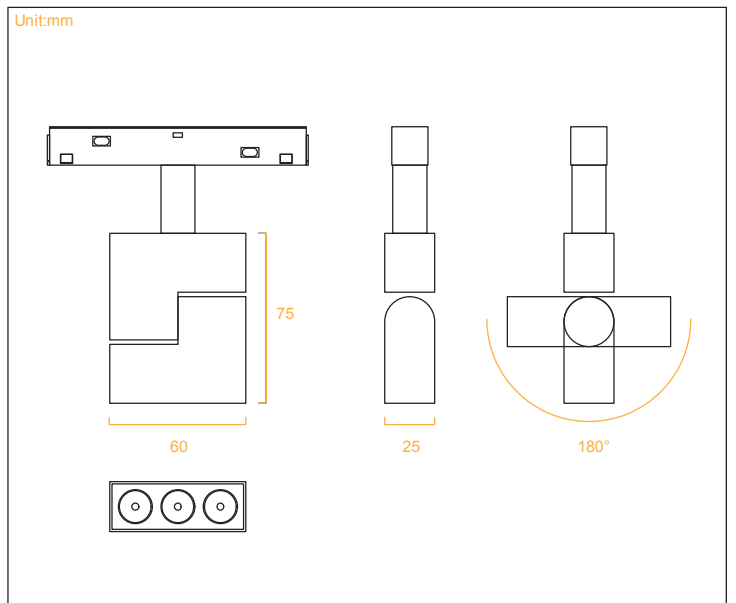
■ BLACK    □ WHITE



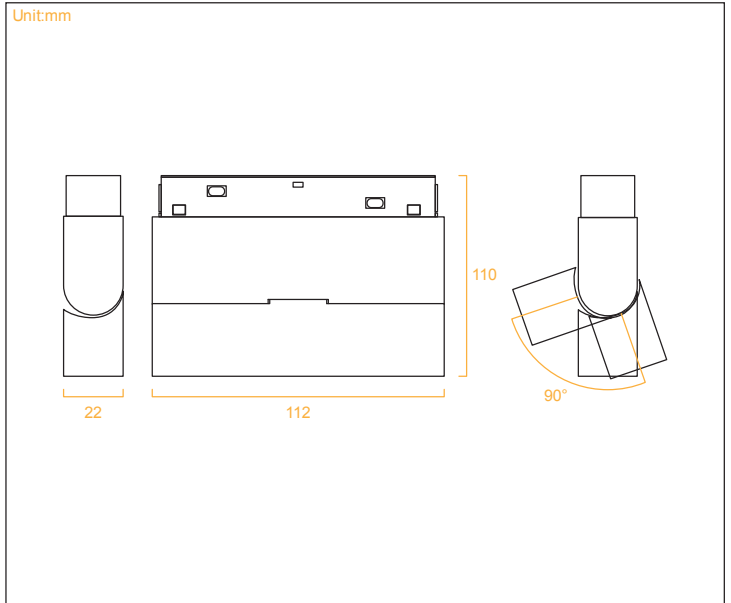
| Model NO. | Input | System Power | LED Power | CRI   | Beam Angle | CCT                |
|-----------|-------|--------------|-----------|-------|------------|--------------------|
| HS-CXM75  | 48V   | 9W           | OSRAM     | Ra≥90 | 24°        | 3000K,4000K,More.. |



■ BLACK    □ WHITE

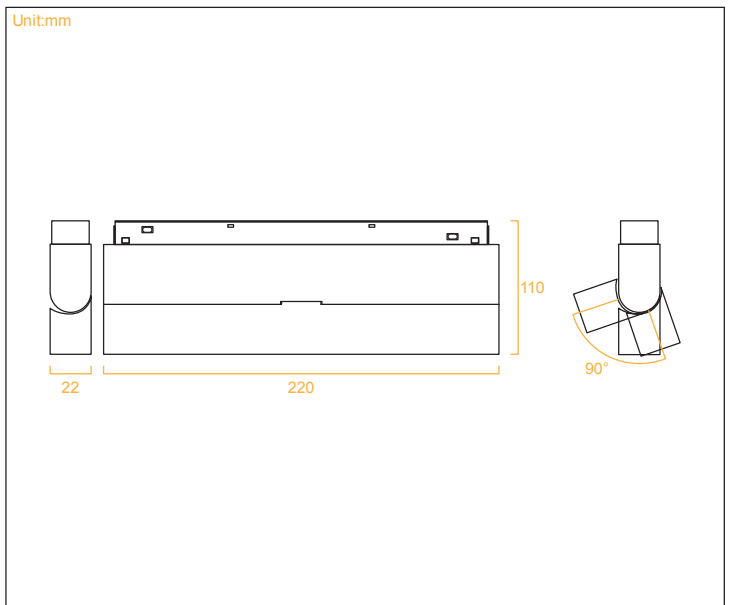
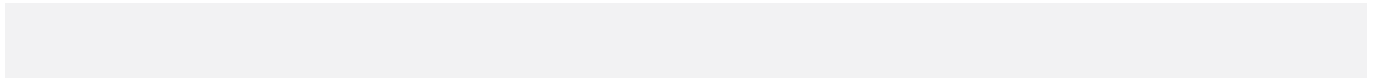


| Model NO.   | Input | System Power | LED Power | CRI   | Beam Angle | CCT                |
|-------------|-------|--------------|-----------|-------|------------|--------------------|
| HS-CX003-3T | 48V   | 3W           | OSRAM     | Ra≥90 | 36°        | 3000K,4000K,More.. |



■ BLACK    □ WHITE

| Model NO.   | Input | System Power | LED Power | CRI   | Beam Angle | CCT                |
|-------------|-------|--------------|-----------|-------|------------|--------------------|
| HS-CX003-6T | 48V   | 6W           | OSRAM     | Ra≥90 | 36°        | 3000K,4000K,More.. |

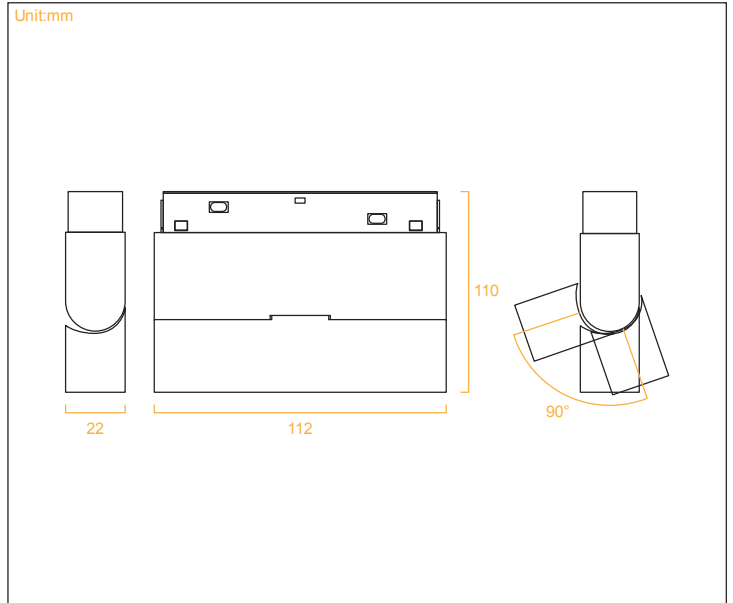


■ BLACK    □ WHITE

| Model NO.    | Input | System Power | LED Power | CRI   | Beam Angle | CCT                |
|--------------|-------|--------------|-----------|-------|------------|--------------------|
| HS-CX003-12T | 48V   | 12W          | OSRAM     | Ra≥90 | 36°        | 3000K,4000K,More.. |



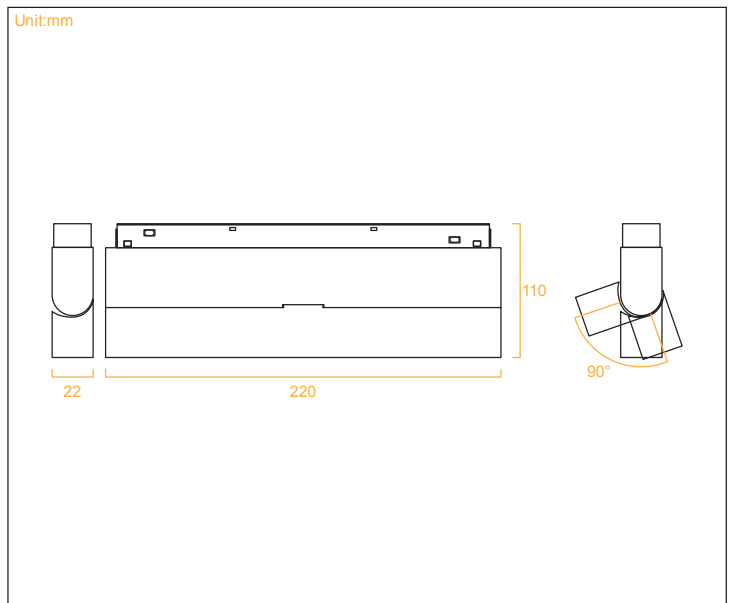
BLACK
  WHITE



| Model NO.   | Input | System Power | LED Power | CRI   | Beam Angle | CCT                |
|-------------|-------|--------------|-----------|-------|------------|--------------------|
| HS-CX003-6F | 48V   | 6W           | OSRAM     | Ra≥90 | 150°       | 3000K,4000K,More.. |



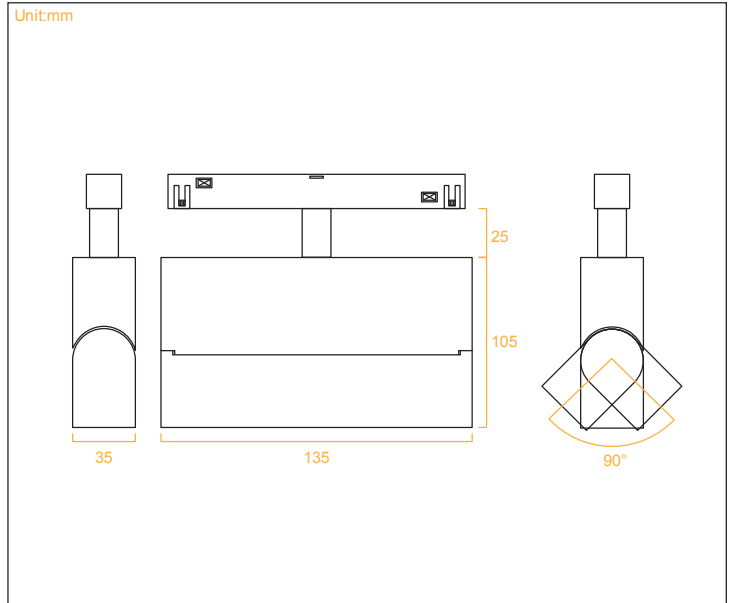
BLACK
  WHITE



| Model NO.    | Input | System Power | LED Power | CRI   | Beam Angle | CCT                |
|--------------|-------|--------------|-----------|-------|------------|--------------------|
| HS-CX003-12F | 48V   | 12W          | OSRAM     | Ra≥90 | 150°       | 3000K,4000K,More.. |



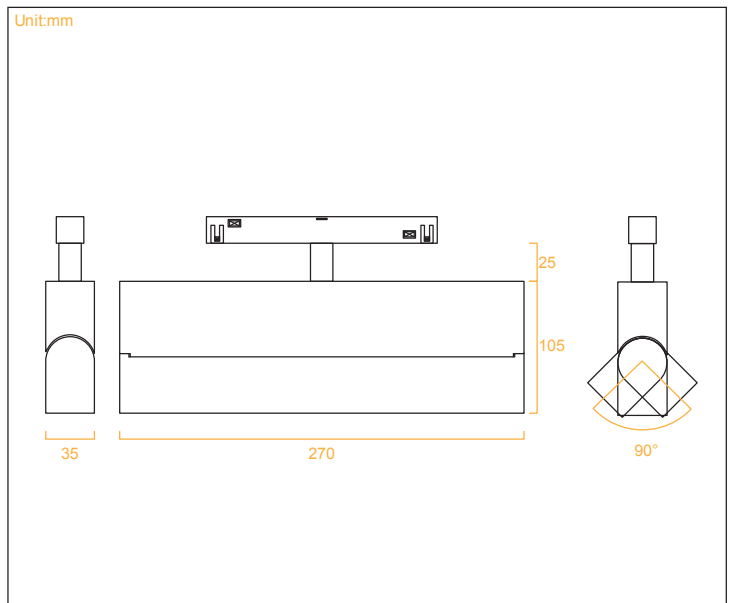
BLACK
  WHITE



| Model NO.   | Input | System Power | LED Power | CRI   | Beam Angle | CCT                |
|-------------|-------|--------------|-----------|-------|------------|--------------------|
| HS-CX003-5T | 48V   | 12W          | OSRAM     | Ra≥90 | 30°        | 3000K,4000K,More.. |



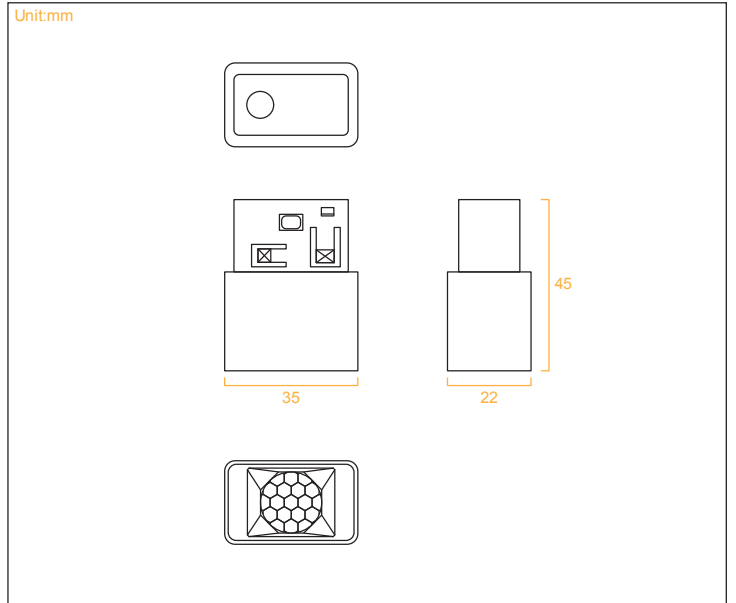
BLACK
  WHITE



| Model NO.    | Input | System Power | LED Power | CRI   | Beam Angle | CCT                |
|--------------|-------|--------------|-----------|-------|------------|--------------------|
| HS-CX003-10T | 48V   | 24W          | OSRAM     | Ra≥90 | 30°        | 3000K,4000K,More.. |



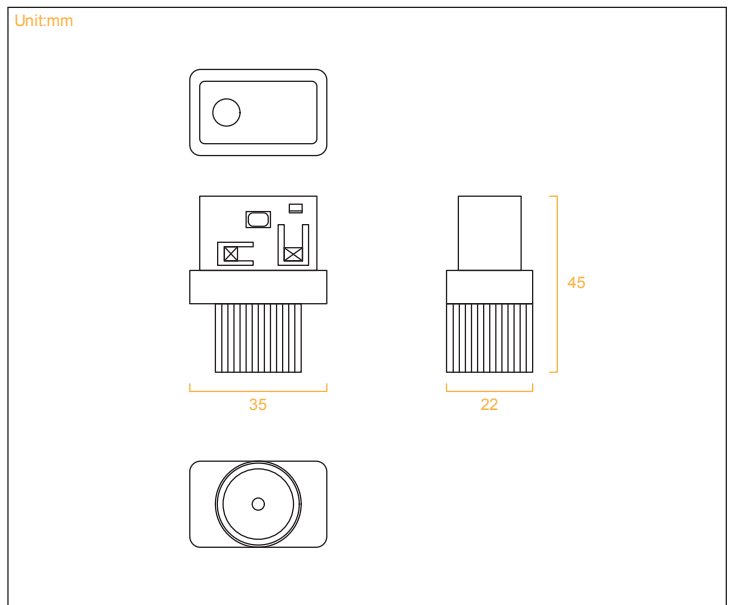
BLACK
  WHITE



| Model NO. | Input | System Power | LED Power | CRI   | Beam Angle | CCT                |
|-----------|-------|--------------|-----------|-------|------------|--------------------|
| HS26-HX01 | 48V   | 3W           | OSRAM     | Ra≥90 | 24°        | 3000K,4000K,More.. |



BLACK
  WHITE

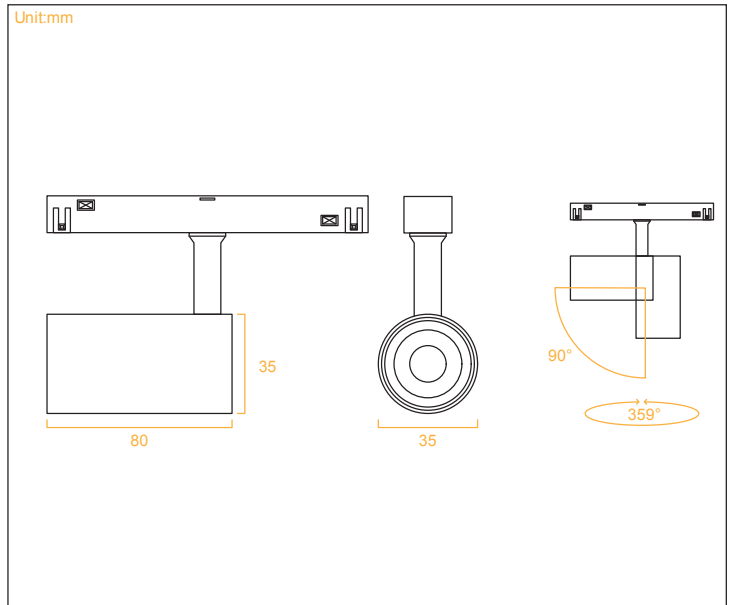


| Model NO. | Input | System Power | LED Power | CRI   | Beam Angle | CCT                |
|-----------|-------|--------------|-----------|-------|------------|--------------------|
| HS26-HX02 | 48V   | 3W           | OSRAM     | Ra≥90 | 24°        | 3000K,4000K,More.. |



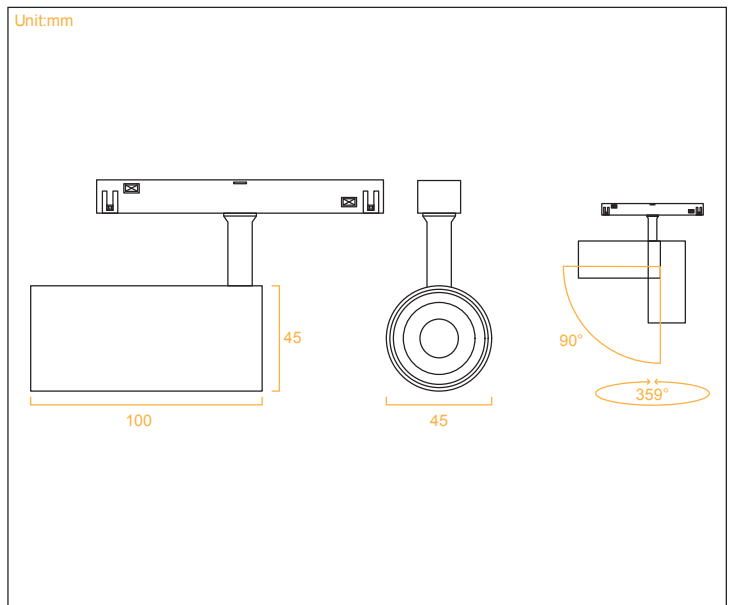
# MAGNETIC SPOT LIGHT





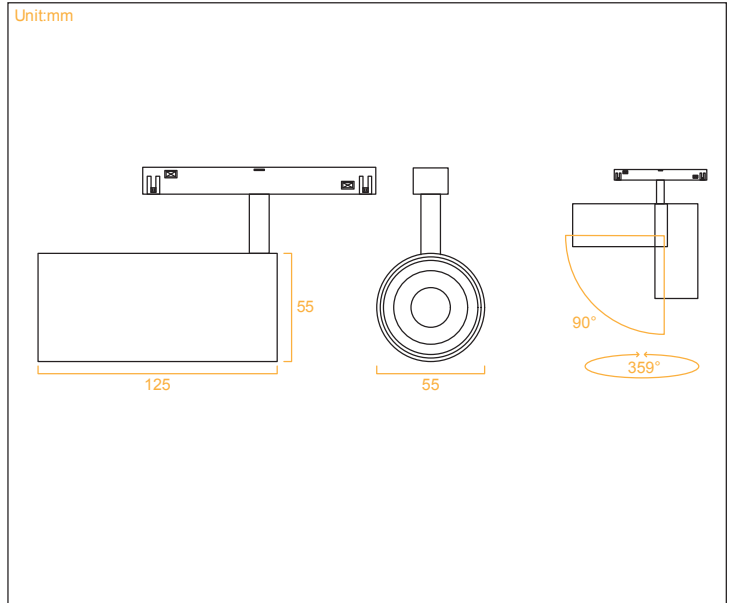
■ BLACK    □ WHITE

| Model NO. | Input - | System Power | LED Power | CRI - | Beam Angle | CCT -              |
|-----------|---------|--------------|-----------|-------|------------|--------------------|
| HS-CX035  | 48V     | 7W           | CREE      | Ra≥90 | 24°        | 3000K,4000K,More.. |



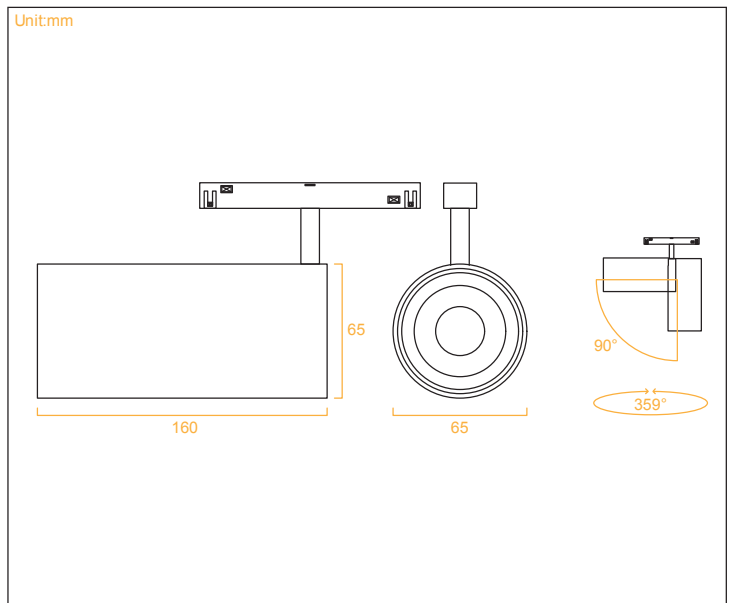
■ BLACK    □ WHITE

| Model NO. | Input - | System Power | LED Power | CRI - | Beam Angle | CCT -              |
|-----------|---------|--------------|-----------|-------|------------|--------------------|
| HS-CX045  | 48V     | 12W          | CREE      | Ra≥90 | 24°        | 3000K,4000K,More.. |



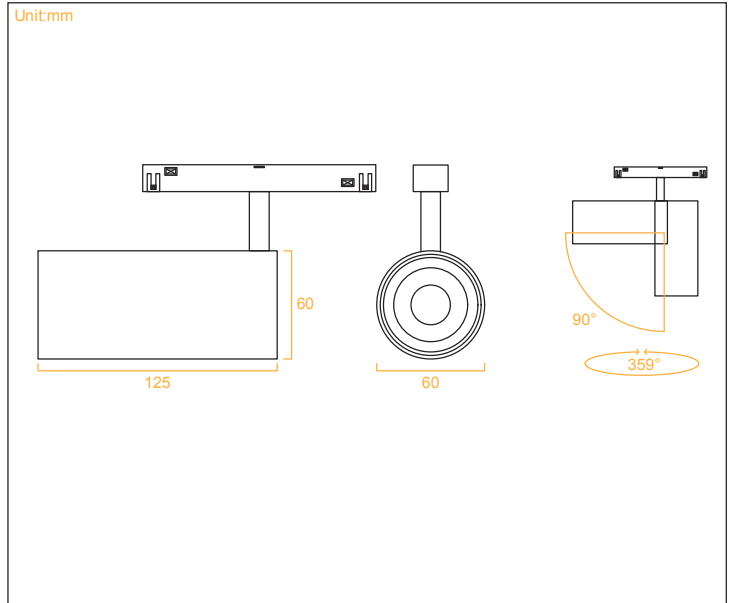
■ BLACK    □ WHITE

| Model NO. | Input | System Power | LED Power | CRI   | Beam Angle | CCT                |
|-----------|-------|--------------|-----------|-------|------------|--------------------|
| HS-CX055  | 48V   | 18W          | CREE      | Ra≥90 | 24°        | 3000K,4000K,More.. |



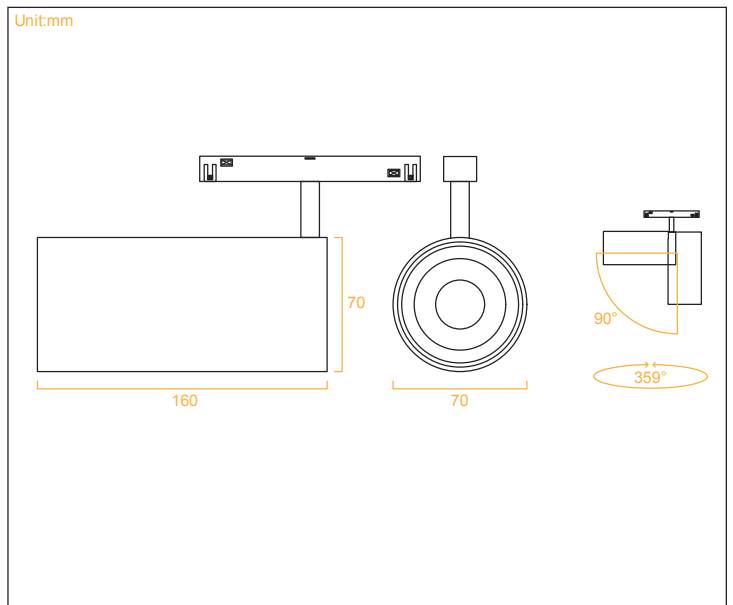
■ BLACK    □ WHITE

| Model NO. | Input | System Power | LED Power | CRI   | Beam Angle | CCT                |
|-----------|-------|--------------|-----------|-------|------------|--------------------|
| HS-CX065  | 48V   | 24W          | CREE      | Ra≥90 | 24°        | 3000K,4000K,More.. |



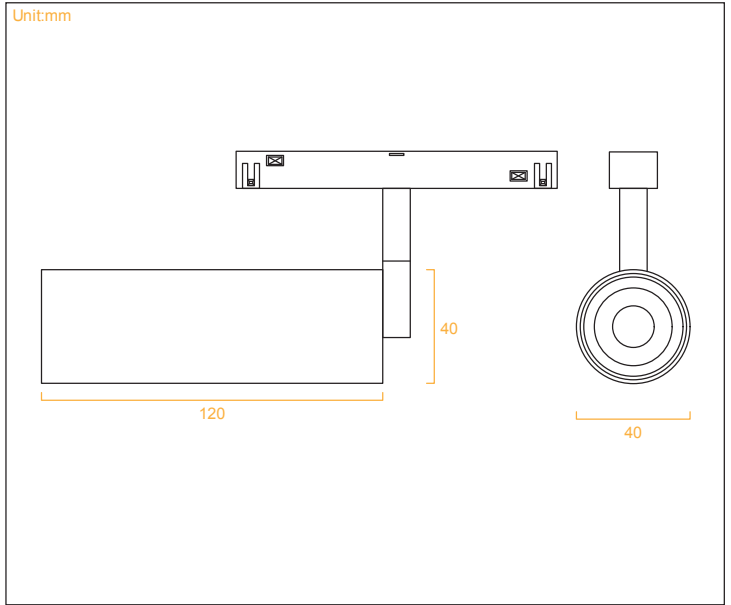
■ BLACK    □ WHITE

| Model NO. | Input | System Power | LED Power | CRI   | Beam Angle | CCT                |
|-----------|-------|--------------|-----------|-------|------------|--------------------|
| HS-CX060  | 48V   | 18W          | CREE      | Ra≥90 | 24°        | 3000K,4000K,More.. |



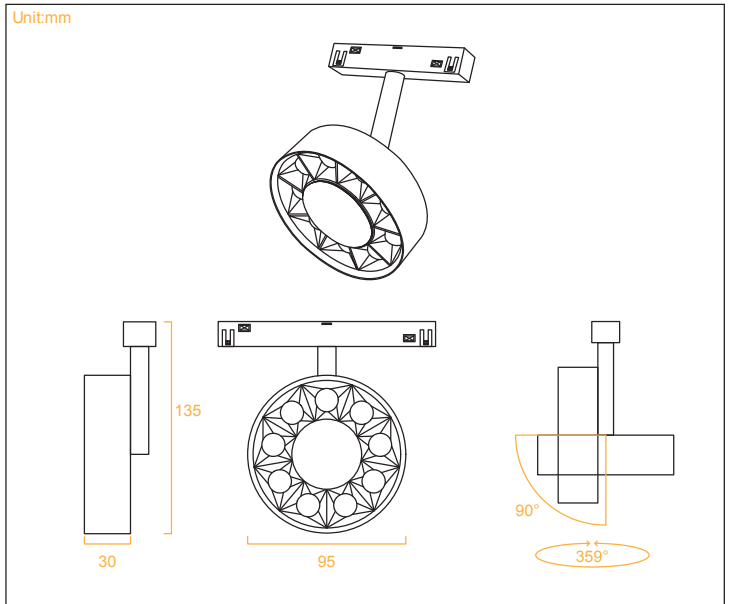
■ BLACK    □ WHITE

| Model NO. | Input | System Power | LED Power | CRI   | Beam Angle | CCT                |
|-----------|-------|--------------|-----------|-------|------------|--------------------|
| HS-CX070  | 48V   | 24W          | CREE      | Ra≥90 | 24°        | 3000K,4000K,More.. |



BLACK
  WHITE

| Model NO. | Input | System Power | LED Power | CRI   | Beam Angle | CCT                |
|-----------|-------|--------------|-----------|-------|------------|--------------------|
| HS-CX040  | 48V   | 7W           | CREE      | Ra≥90 | 24°        | 3000K,4000K,More.. |

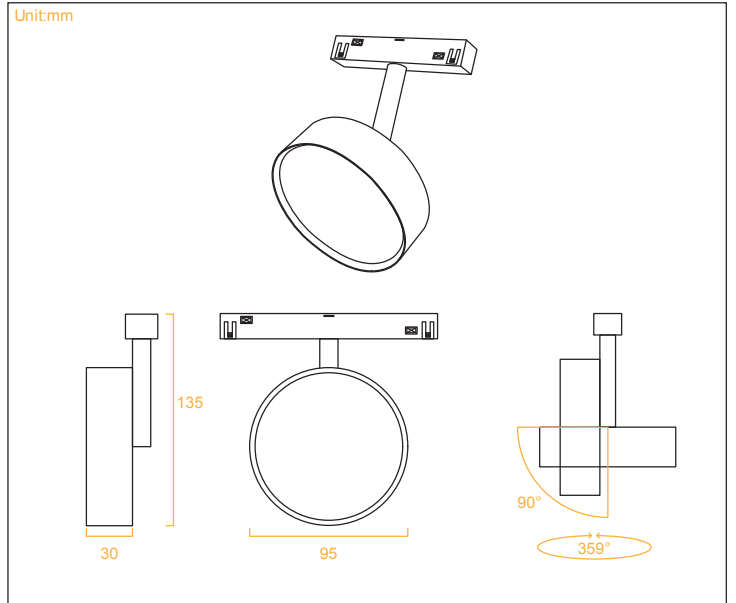


BLACK
  WHITE

| Model NO. | Input | System Power | LED Power | CRI   | Beam Angle | CCT                |
|-----------|-------|--------------|-----------|-------|------------|--------------------|
| HS-CXG90  | 48V   | 9W           | OSRAM     | Ra≥90 | 24°        | 3000K,4000K,More.. |



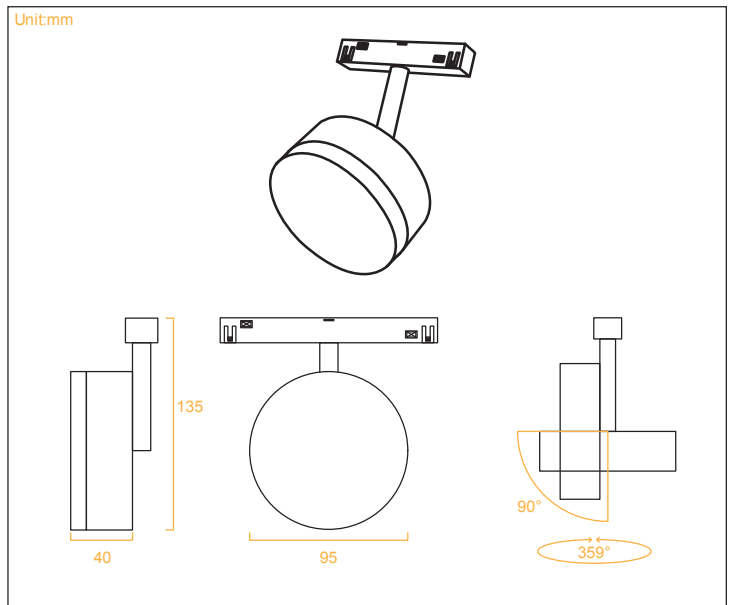
BLACK
  WHITE



| Model NO. | Input | System Power | LED Power | CRI   | Beam Angle | CCT                |
|-----------|-------|--------------|-----------|-------|------------|--------------------|
| HS-CXB90  | 48V   | 9W           | OSRAM     | Ra≥90 | 150°       | 3000K,4000K,More.. |



BLACK
  WHITE



| Model NO. | Input | System Power | LED Power | CRI   | Beam Angle | CCT                |
|-----------|-------|--------------|-----------|-------|------------|--------------------|
| HS-CXZ90  | 48V   | 9W           | OSRAM     | Ra≥90 | 120°       | 3000K,4000K,More.. |



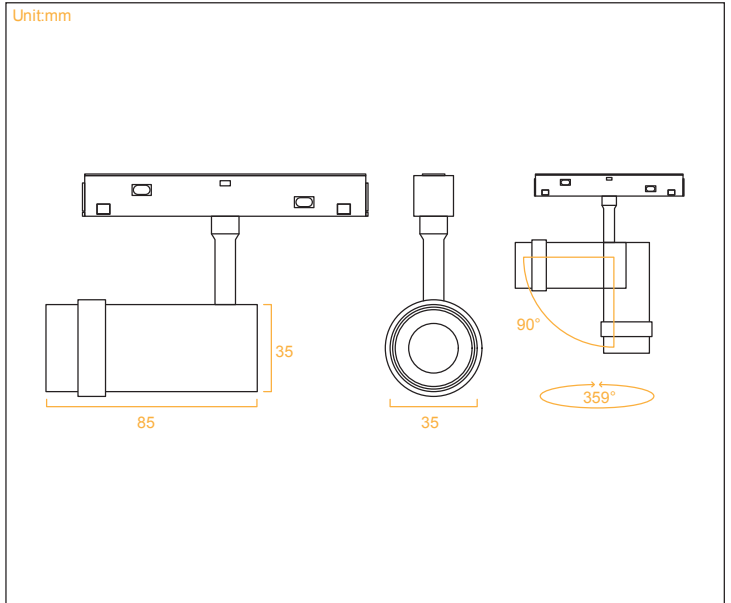
# Zommable Magnetic Spot Light



**CREE**  
LAMP BEADS

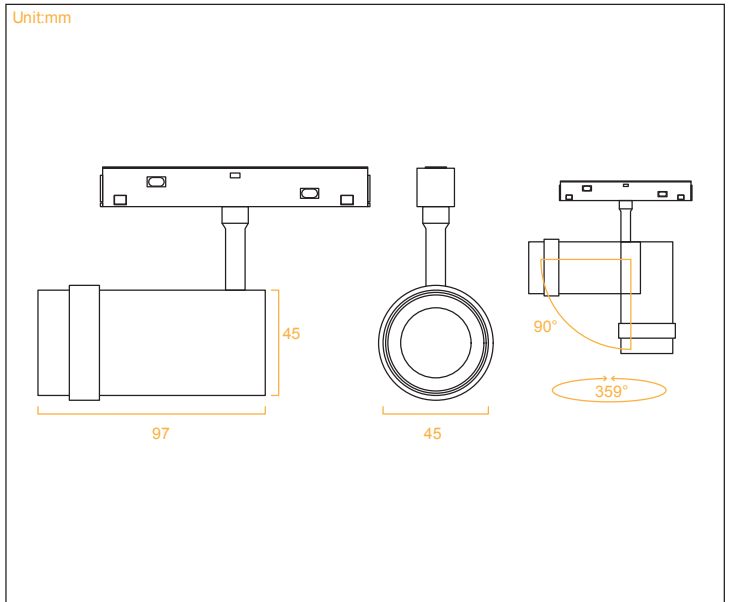


**15°-55°**  
BEAM ANGLE



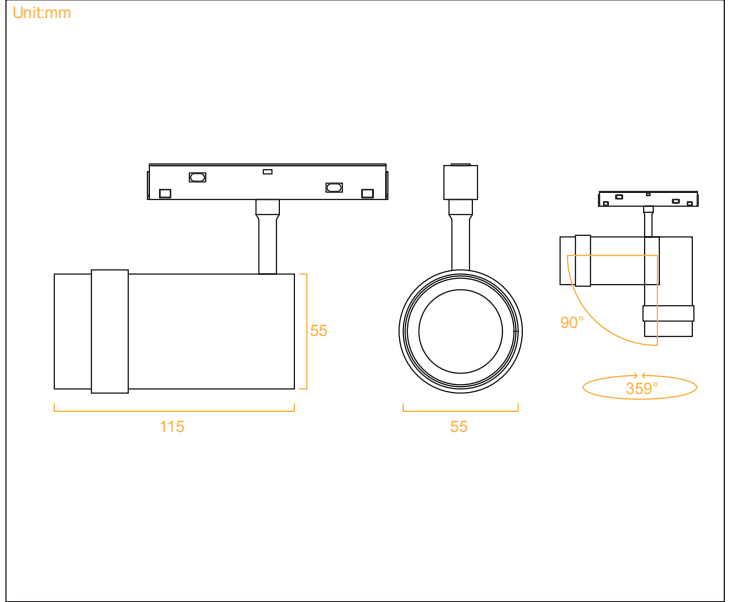
■ BLACK    □ WHITE

| Model NO. | Input | System Power | LED Power | CRI   | Beam Angle | CCT                |
|-----------|-------|--------------|-----------|-------|------------|--------------------|
| HS-CXT035 | 48V   | 7W           | CREE      | Ra≥90 | 15°-50°    | 3000K,4000K,More.. |



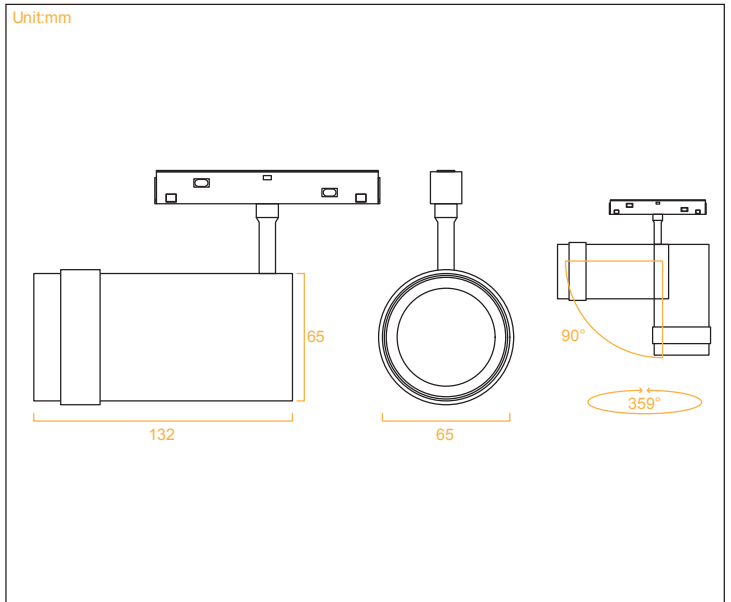
■ BLACK    □ WHITE

| Model NO. | Input | System Power | LED Power | CRI   | Beam Angle | CCT                |
|-----------|-------|--------------|-----------|-------|------------|--------------------|
| HS-CXT045 | 48V   | 12W          | CREE      | Ra≥90 | 15°-50°    | 3000K,4000K,More.. |



■ BLACK    □ WHITE

| Model NO. | Input | System Power | LED Power | CRI   | Beam Angle | CCT                |
|-----------|-------|--------------|-----------|-------|------------|--------------------|
| HS-CXT055 | 48V   | 18W          | CREE      | Ra≥90 | 15°-55°    | 3000K,4000K,More.. |



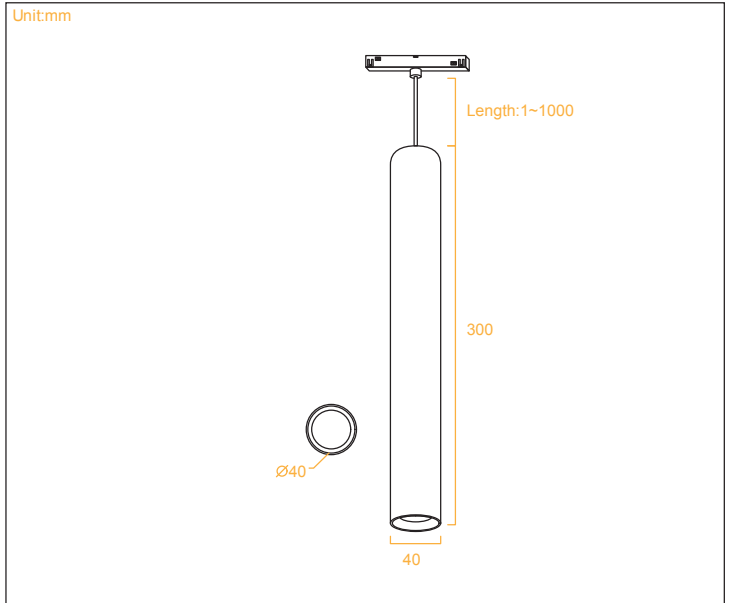
■ BLACK    □ WHITE

| Model NO. | Input | System Power | LED Power | CRI   | Beam Angle | CCT                |
|-----------|-------|--------------|-----------|-------|------------|--------------------|
| HS-CXT065 | 48V   | 24W          | CREE      | Ra≥90 | 15°-55°    | 3000K,4000K,More.. |



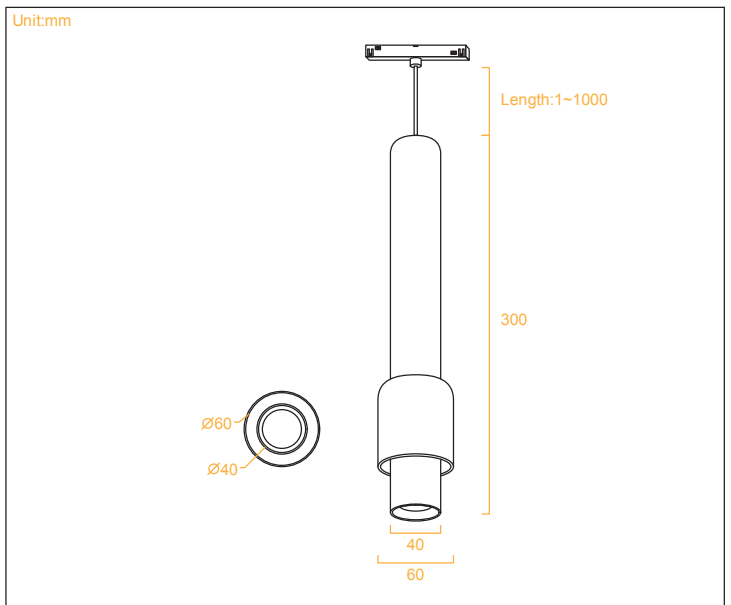
**MAGNETIC  
SUSPENSION LIGHT**





BLACK
  WHITE

| Model NO. | Input | System Power | LED Power | CRI   | Beam Angle | CCT                |
|-----------|-------|--------------|-----------|-------|------------|--------------------|
| HS-CXD300 | 48V   | 12W          | CREE      | Ra≥90 | 24°        | 3000K,4000K,More.. |

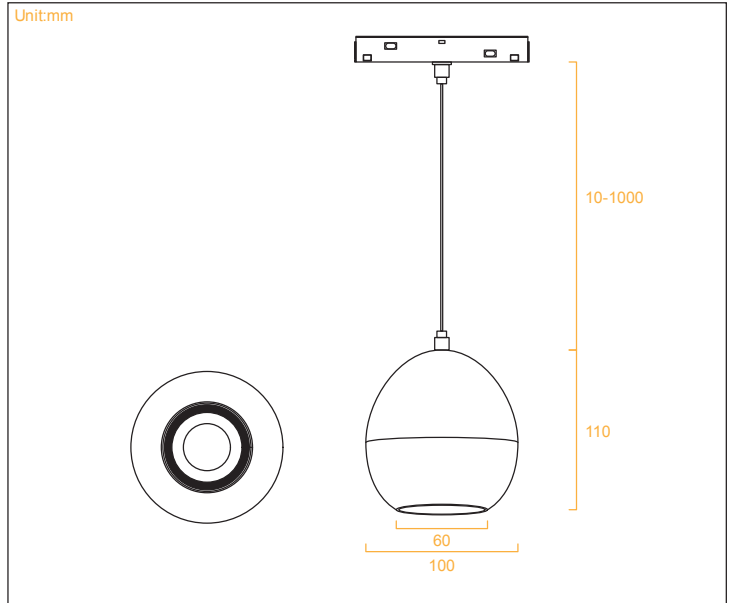


BLACK
  WHITE

| Model NO.   | Input | System Power | LED Power | CRI   | Beam Angle | CCT                |
|-------------|-------|--------------|-----------|-------|------------|--------------------|
| HS-CXDSL300 | 48V   | 12W          | CREE      | Ra≥90 | 24°        | 3000K,4000K,More.. |



BLACK
  WHITE

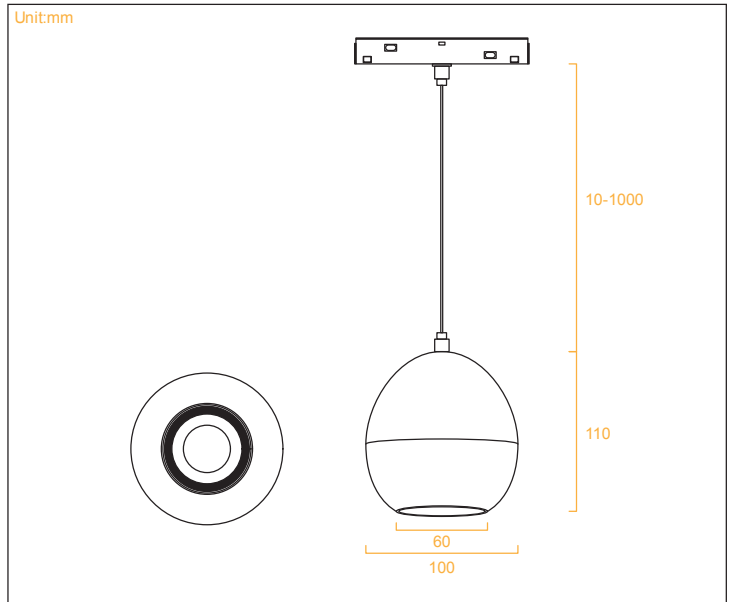


| Model NO.  | Input | System Power | LED Power | CRI   | Beam Angle | CCT                |
|------------|-------|--------------|-----------|-------|------------|--------------------|
| HS-CXDY100 | 48V   | 12W          | CREE      | Ra≥90 | 24°        | 3000K,4000K,More.. |



**Zommable**

BLACK
  WHITE

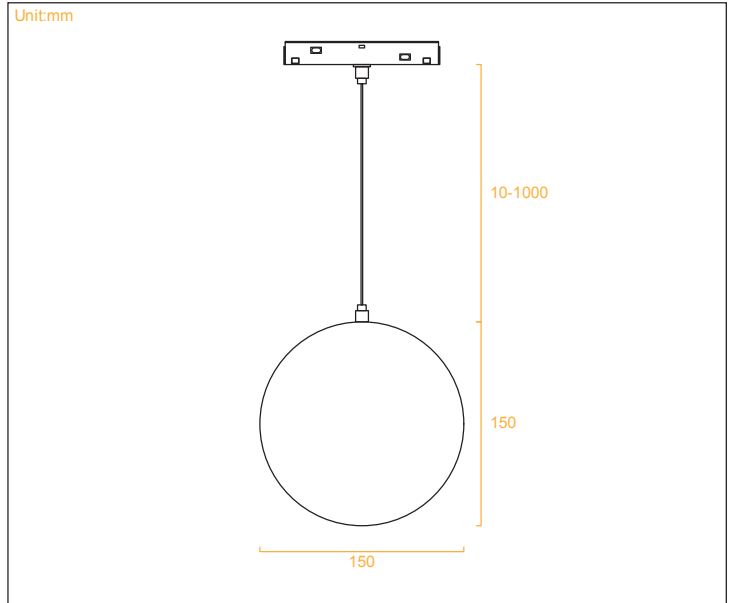


| Model NO.   | Input | System Power | LED Power | CRI   | Beam Angle | CCT                |
|-------------|-------|--------------|-----------|-------|------------|--------------------|
| HS-CXDYT100 | 48V   | 12W          | CREE      | Ra≥90 | 10° - 55°  | 3000K,4000K,More.. |

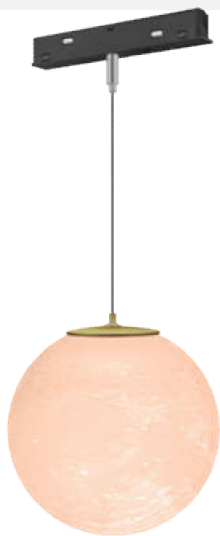


**Earth Design**

■ BLACK    □ WHITE

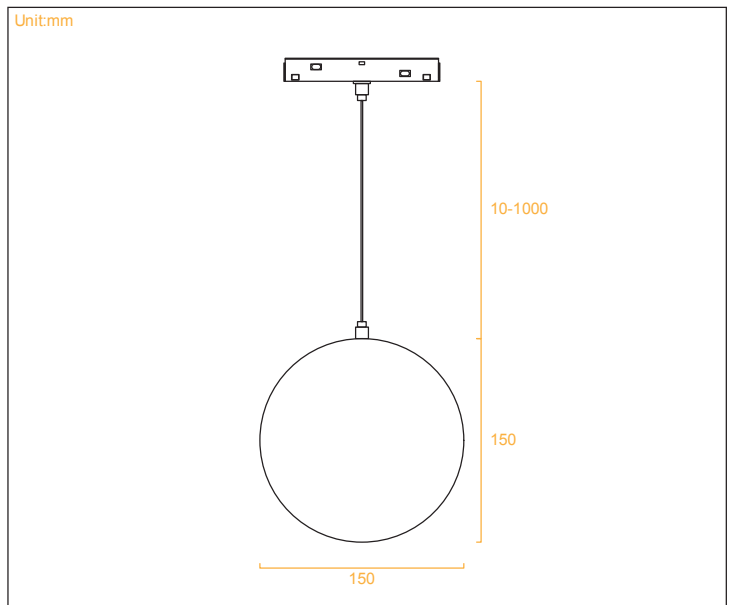


| Model NO.    | Input | System Power | LED Power | CRI   | Beam Angle | CCT                |
|--------------|-------|--------------|-----------|-------|------------|--------------------|
| HS-CXD150-DQ | 48V   | 7W           | CREE      | Ra≥90 | 350°       | 3000K,4000K,More.. |

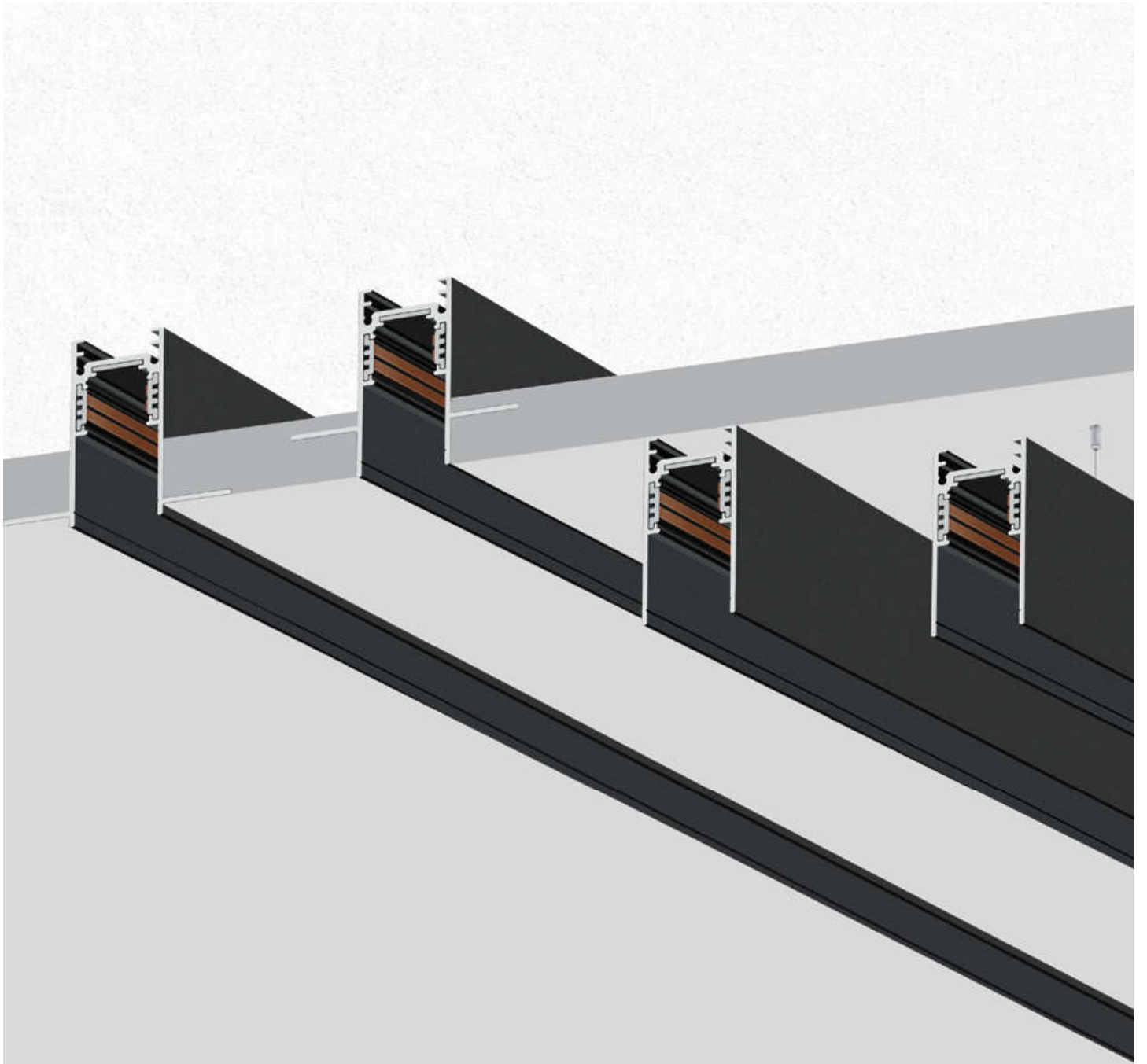


**Moon Design**

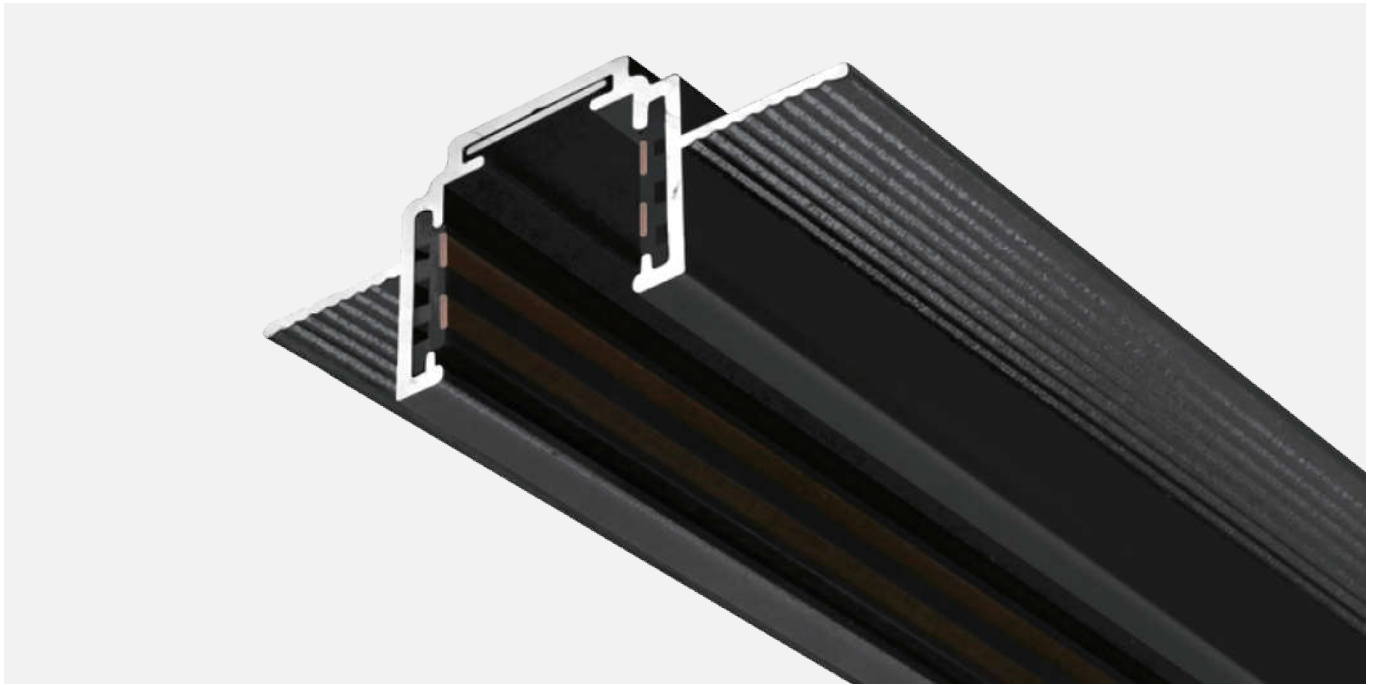
■ BLACK    □ WHITE



| Model NO.    | Input | System Power | LED Power | CRI   | Beam Angle | CCT                |
|--------------|-------|--------------|-----------|-------|------------|--------------------|
| HS-CXD150-YQ | 48V   | 7W           | CREE      | Ra≥90 | 350°       | 3000K,4000K,More.. |



**MAGNETIC  
TRACK SYSTEM**

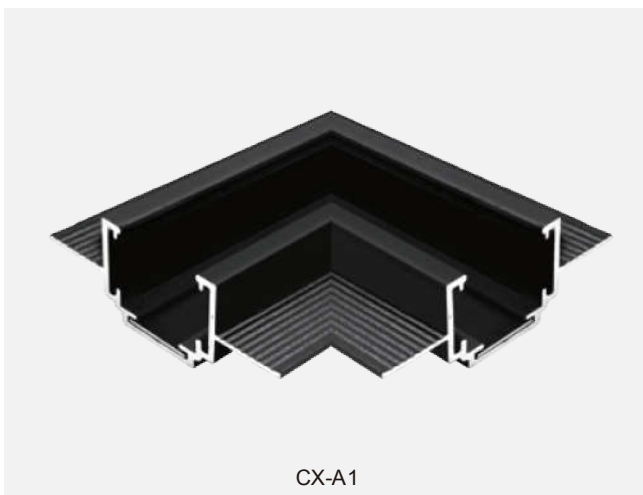
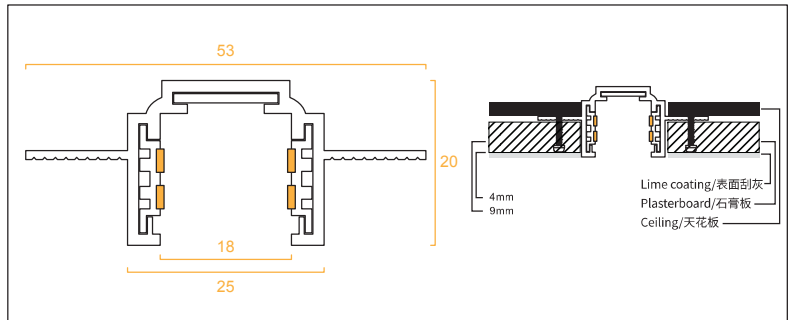


BLACK
  WHITE

Installation: Surface Mount/Suspension

Model NO. CX-A

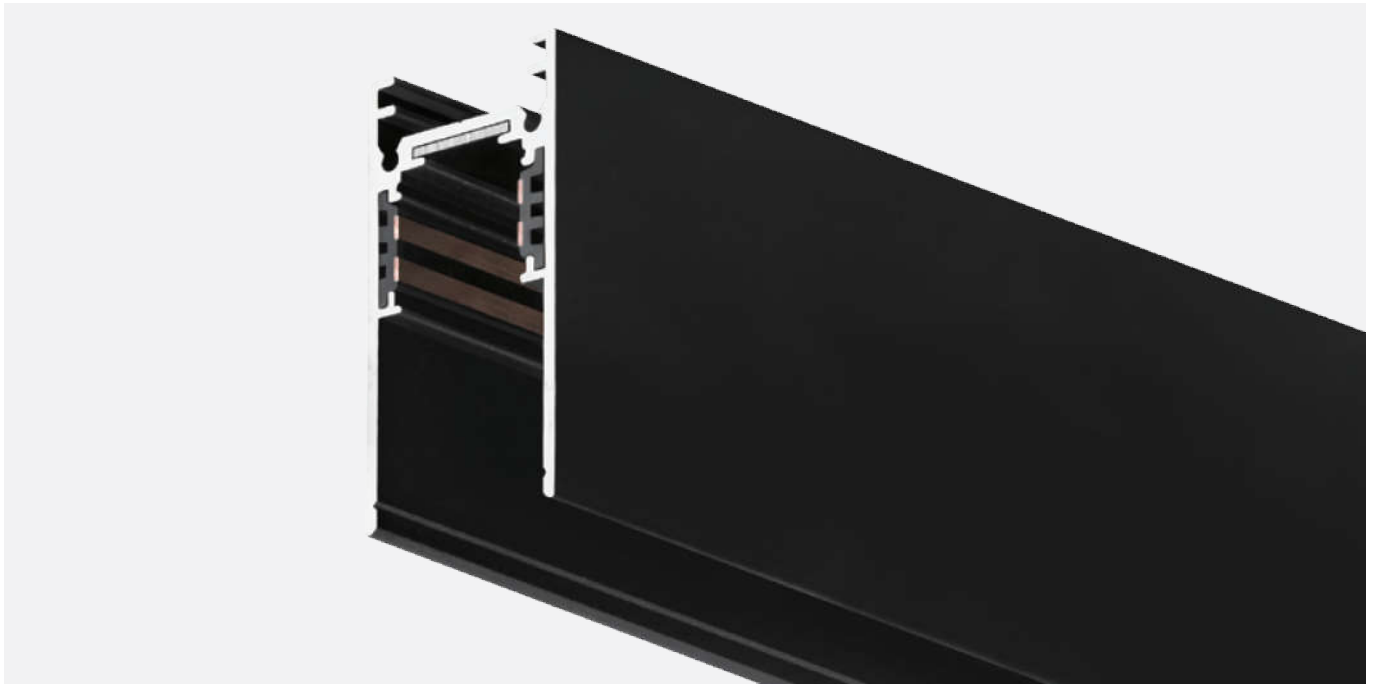
Track Length 100cm, 150cm, 200cm, 300cm



**L Corner**  
 Ceiling Mount



**L Corner**  
 Wall to Ceiling mount

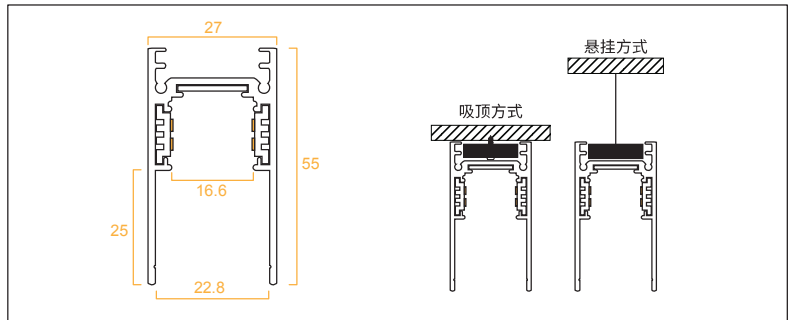


BLACK
  WHITE

Installation: Surface Mount/Suspension

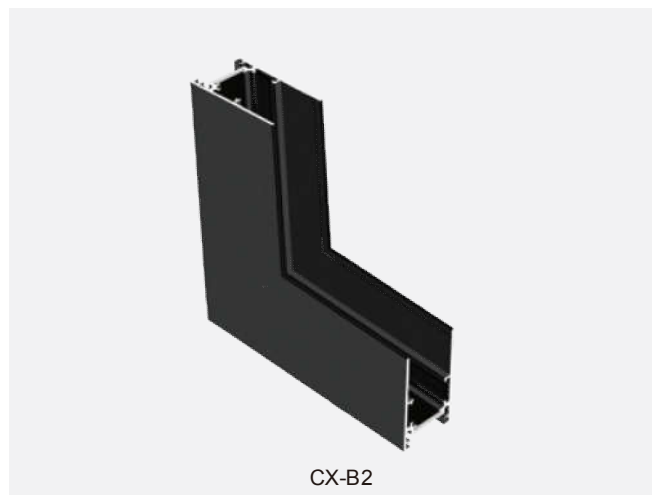
Model NO. CX-B

Track Length 100cm, 150cm, 200cm, 300cm



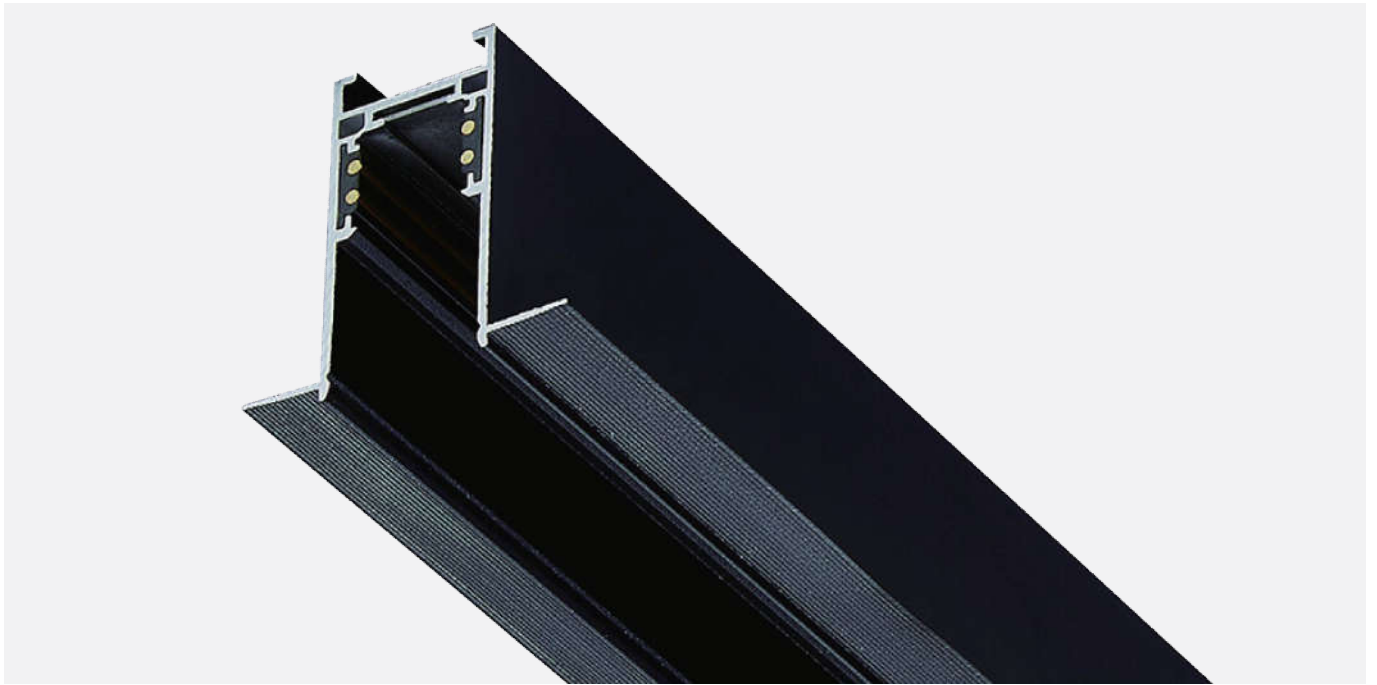
CX-B1

**L Corner**  
Ceiling Mount



CX-B2

**L Corner**  
Wall to Ceiling mount



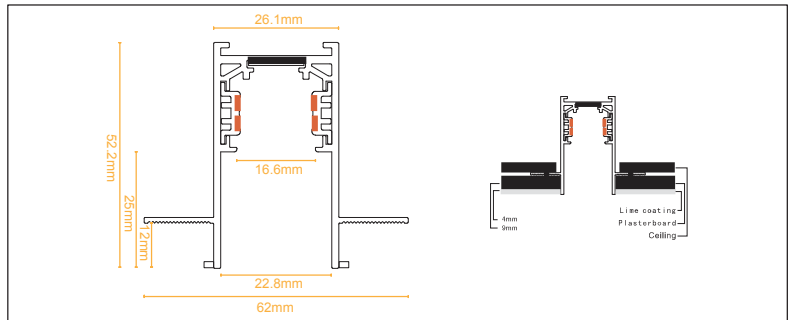
**BLACK**

Installation: Recessed

Model NO. CX-C

Track Length 100cm, 150cm, 200cm, 300cm

Package 10/Carton



**L Corner**

Recessed mount Track  
Horizontal Direction



**L Corner**

Recessed Track  
Vertical Direction

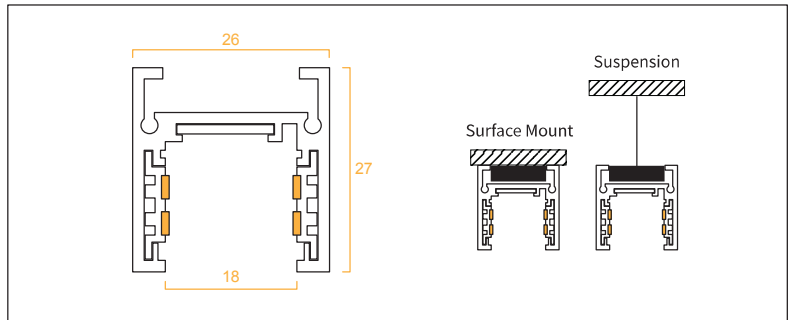


BLACK
  WHITE

Installation: Surface Mount/Suspension

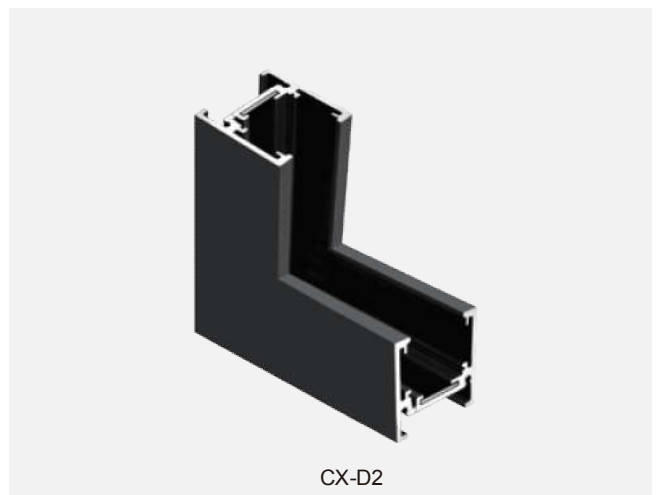
Model NO. CX-D

Track Length 100cm, 150cm, 200cm, 300cm



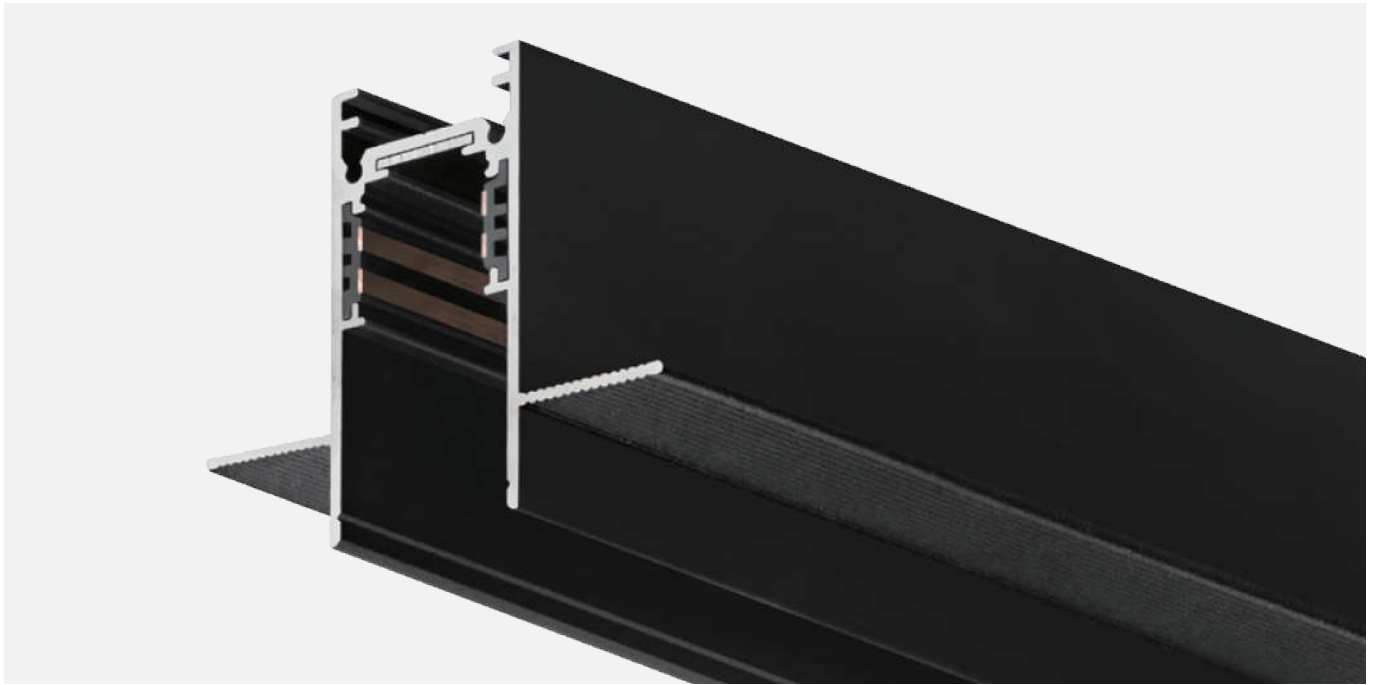
CX-D1

**L Corner**  
Ceiling Mount



CX-D2

**L Corner**  
Wall to Ceiling mount

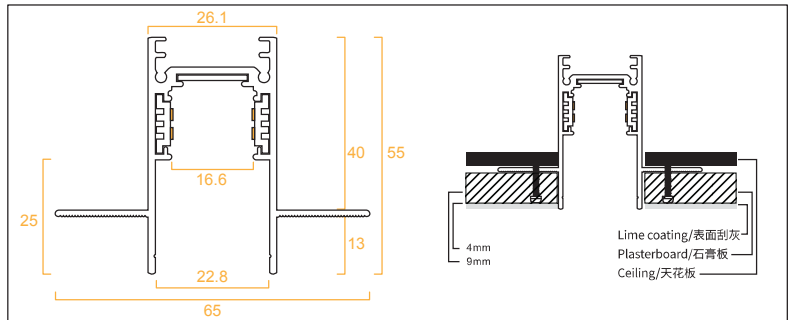


BLACK
  WHITE

Installation: Embedded/Concealed

Model NO. CX-E

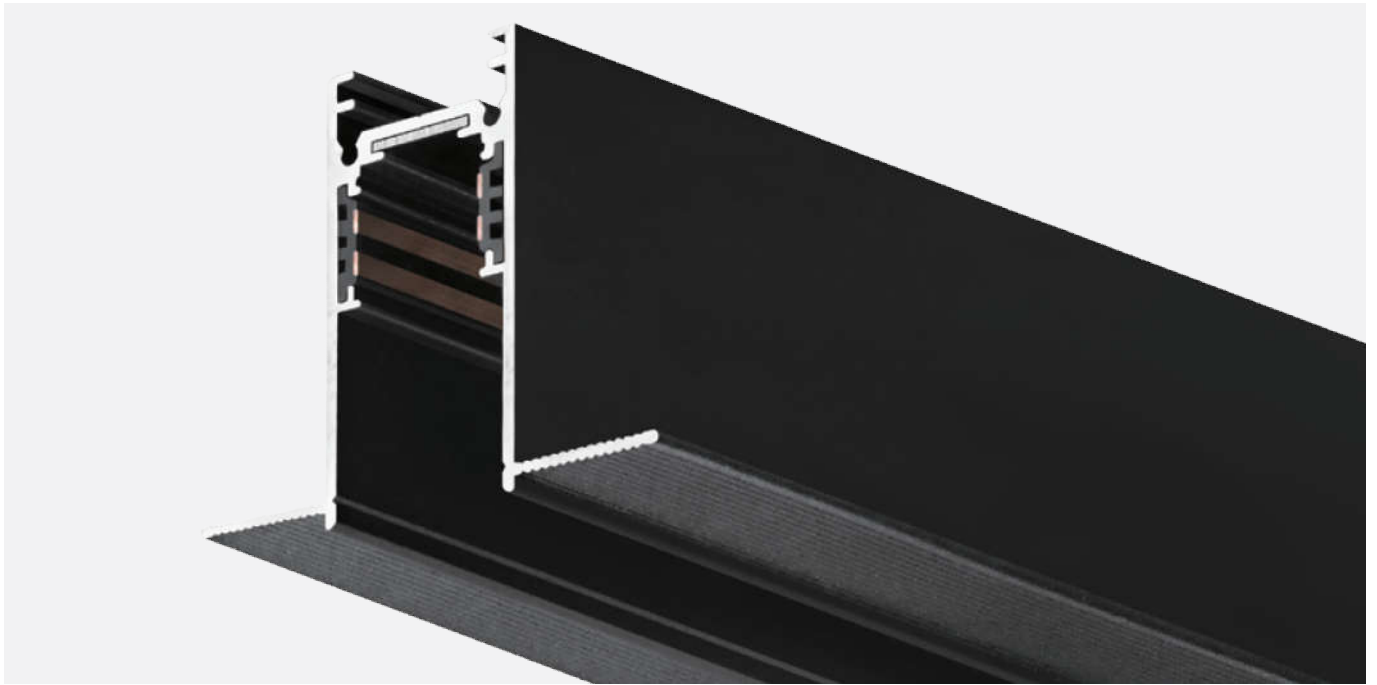
Track Length 100cm, 150cm, 200cm, 300cm



**L Corner**  
 Ceiling Mount



**L Corner**  
 Ceiling Mount

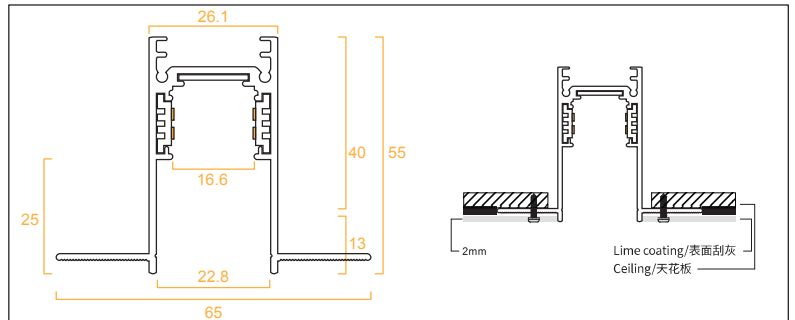


BLACK
  WHITE

Installation: Recessed with paster coat

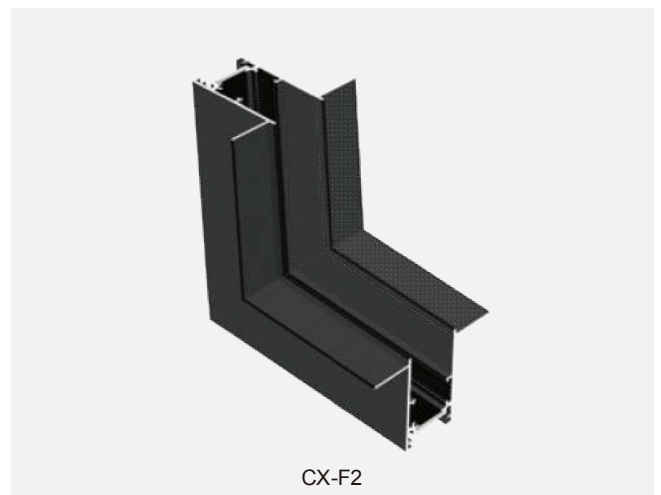
Model NO. CX-F

Track Length 100cm, 150cm, 200cm, 300cm



CX-F1

**L Corner**  
Ceiling Mount



CX-F2

**L Corner**  
Wall to Ceiling mount

Middle Connector



Model No.

**CX-I**

Power Connector



Model No.

**CX-K**

Flexible Connector



Model No.

**CX-N**

L connector



Model No.

**CX-J**

Hold Part



Model No.

**CX-N**

Middle Connector



Model No.

**CX-I**

Power Supply



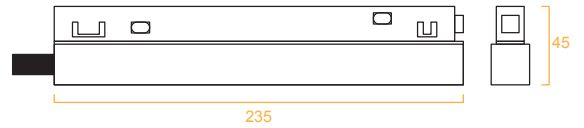
Model No.  
**220V/48V 100W**

Power Supply

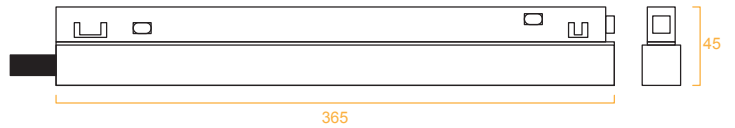


Model No.  
**220V/48V 200W**

Power Supply



Model No.  
**220V/48V 100W**



Model No.  
**220V/48V 200W**