

! Due to the printing process, the colors of the actual products may differ from the pictures. For the actual effect please refer to tile samples.

M-RAINBOW[®]



**MORNING
RAINBOW LIGHTING**

AN ISO9001-2015

CERTIFIED MANUFACTURER
2024 Retail and Commercial Lighting



HONGKONG MORNING STAR LIGHTING INT CO., LTD.
FOSHAN CHENHONG LIGHTING ELECTRICAL APPLIANCE CO., LTD.

F3, Bldg.#3, Jiangmei Industrial Zoon Xiaotang, Shishan Town, Nanhai, Foshan City, China
Tel: +86-757-86636899 81081766
Fax: +86-757-86633577
Homepage: www.cn-starlighting.com
Email: info@cn-starlighting.com



COMPANY PROFILE

Foshan Chenghong lighting is a professional manufacturer of led commercial lighting products. The company was founded in year 2009. We focus on led downlight, led track light, led ceiling spotlight, led panel lights and all types of led lighting fixtures. etc , All products are CCC, CQC , CE, RoHs certified.

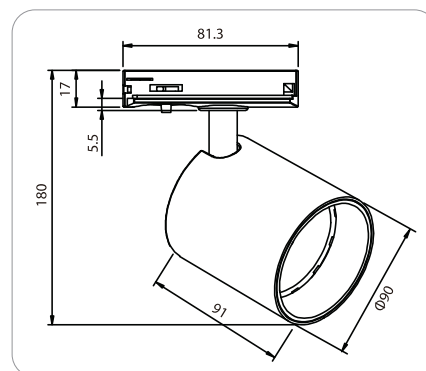
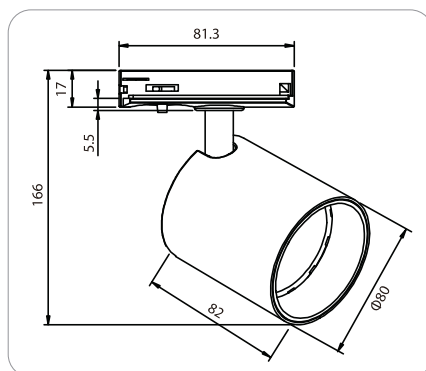
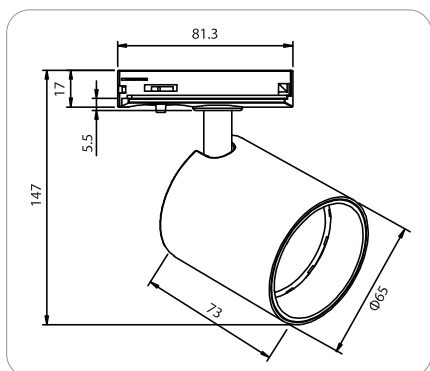
We response very fast for custom design, can make 3D drawing in 2days per customers' idea, can make mock- up samples in 3days. MR product can bring amazing value for different applications, like retails shops, showrooms, supermarket , hotels , villas etc. Morning rainbow is fully certified with ISO9001- 2015 and CCC . We have very strick quality control from incoming raw materials to finish products. We have complete equipments for temperature testing, photometric testing, aging testing and reliability testing. We can provide IES, Dalux calculations . Morning rainbow ensures each lamp with excellent performace before shipment with 100% inspections.

The company has an area of more than 5000 square meters, 120workers, 2 Auto downlight assembly machines, 10 production lines, 2 auto aging test lines , one EMC test room and one powder coating factory. The monthly capacity for track lights and downlights are 780000pcs. We can ensure fast delivery and reliable quality.

Our mission is pursue perfect lighting and win- win cooperation.

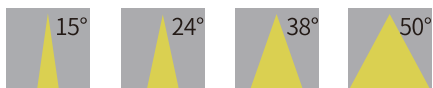


Dimensions / 尺寸



PRODUCT PARAMETERS

Beam Angle / 发光角度



Color Temperature / 色温

2700K, 3000K, 4000K, 6000K

LED / 光源

DOB Ra > 80, 90

Track Adapter / 导轨头

2wires, 3wires, 4wires

Life Span / 寿命

30000Hours

Control Method / 控制方式

On/Off, Triac Dim, or Dim-warm

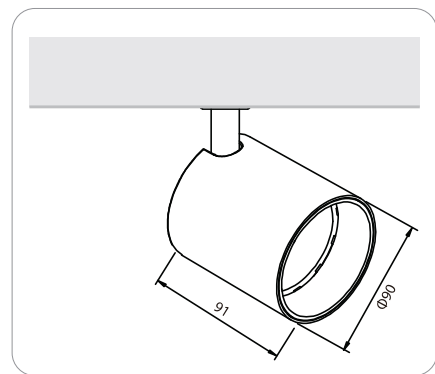
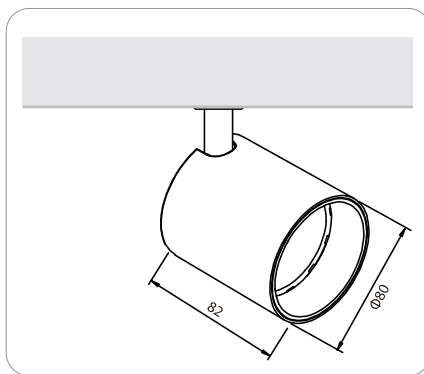
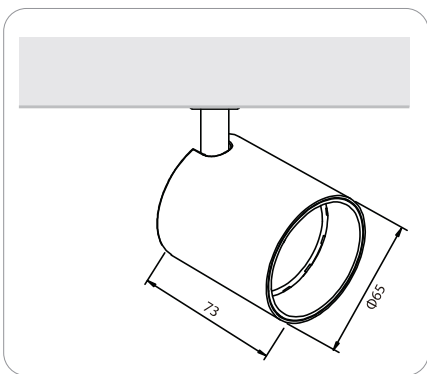
Specification / 规格参数

Model	Input	Power	Luminous Flux
CH-CX-10	220V-240VAC	10W	800lms
CH-CX-18	220V-240VAC	18W	1440lms
CH-CX-30	220V-240VAC	24W	2100lms

3CCT
Switchable

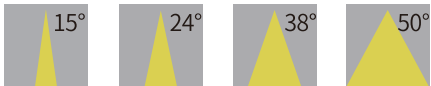


Dimensions / 尺寸



PRODUCT PARAMETERS

Beam Angle / 发光角度



Color Temperature / 色温

3000K, 4000K, 6000K

LED / 光源

Dual Color COB Ra > 90

Track Adapter / 导轨头

2wires, 4wires

Life Span / 寿命

50000Hours

Control Method / 控制方式

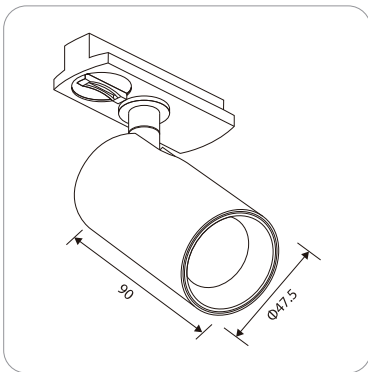
On/Off, Power and CCT Selectable

Specification / 规格参数

Model	Input	Power	Luminous Flux
CH-CX-10-CCT	220V-240VAC	10W	800lms-950lms
CH-CX-18-CCT	220V-240VAC	16W/18W/20W	1600lms-1800lms
CH-CX-30-CCT	220V-240VAC	24W/26W/28W	2000lms-2300lms



Dimensions / 尺寸



PRODUCT PARAMETERS

Beam Angle / 发光角度



Color Temperature / 色温

2700K, 3000K, 4000K, 6000K

LED / 光源

DOB Ra > 80, 90

Track Adapter / 导轨头

2wires, 3wires, 4wires

Life Span / 寿命

30000Hours

Control Method / 控制方式

Triac dim

Specification / 规格参数

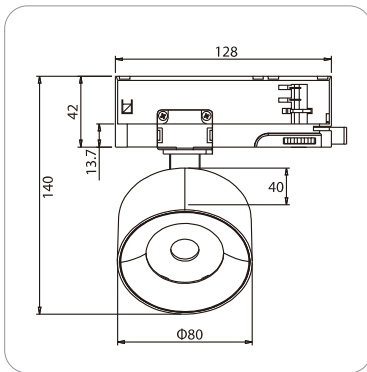
Model	Input	Power	Luminous Flux
CH-TR3006	220V-240VAC	9W	700lm



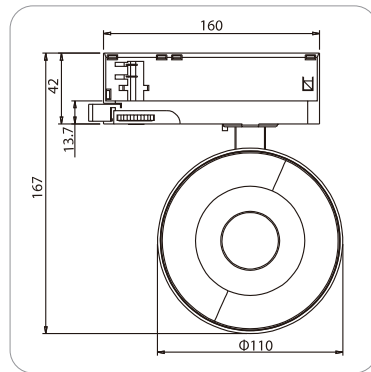
Narrow

Flood

Dimensions / 尺寸



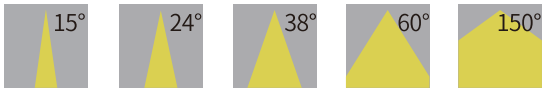
12W



24W

PRODUCT PARAMETERS

Beam Angle / 发光角度



Color Temperature / 色温

2700K, 3000K, 4000K, 6000K, CCT Turnable

LED / 光源

Epistar, Bridgelux, Cree Ra>90

Track Adapter / 导轨头

2wires, 3wires, 4wires, 6wires

LED Driver / 驱动

KGP / Global / Osram

Life Span / 寿命

50000Hours

Control Method / 控制方式

On/Off, Triac Dim, DALI

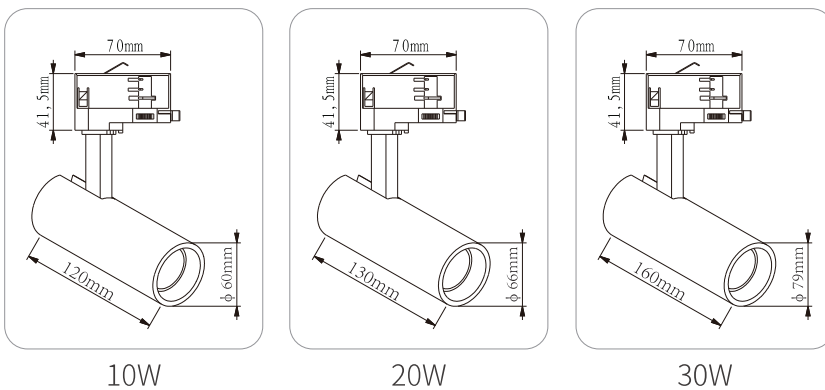
Specification / 规格参数

Model	Input	Power	Luminous Flux
CH-CZ-12	220V-240V	12W	1200lms
CH-CZ-24	220V-240V	24W	2500lms

3CCT
Switchable



Dimensions / 尺寸



10W

20W

30W

PRODUCT PARAMETERS

Beam Angle / 发光角度



Color Temperature / 色温

2700K / 4000K / 5800K

LED / 光源

Epistar, Bridgelux Ra>90

Track Adapter / 导轨头

2wires, 3wires, 4wires, 6wires

LED Driver / 驱动

Eaglerise / Lifud

Life Span / 寿命

50000Hours

Control Method / 控制方式

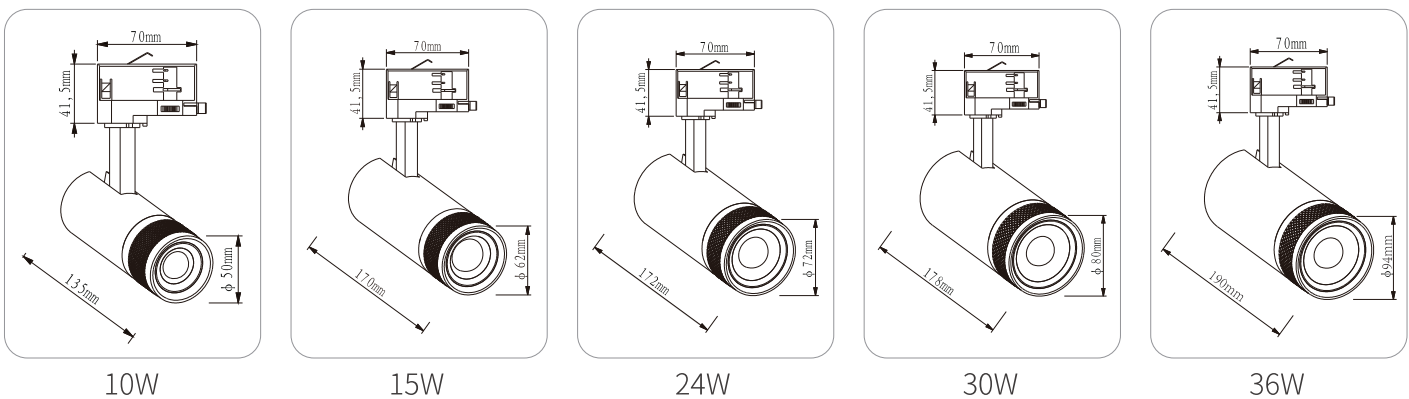
On/Off, Triac Dim, DALI

Specification / 规格参数

Model	Input	Power	Luminous Flux
CH-GD8812CCT	220-240VAC	10W	800lms
CH-GD8813CCT	220-240VAC	20W	1600lms
CH-GD8814CCT	220-240VAC	30W	2400lms



Dimensions / 尺寸



PRODUCT PARAMETERS

Beam Angle / 发光角度



Color Temperature / 色温

2700K, 3000K, 4000K, 6000K, CCT Turnable

LED / 光源

Epistar, CREE, Citizen, Bridgelux Ra > 90

LED Driver / 驱动

Lifud, Philip, Osram

Track Adapter / 导轨头

2wires, 3wires, 4wires, 6wires

Life Span / 寿命

50000Hours

Control Method / 控制方式

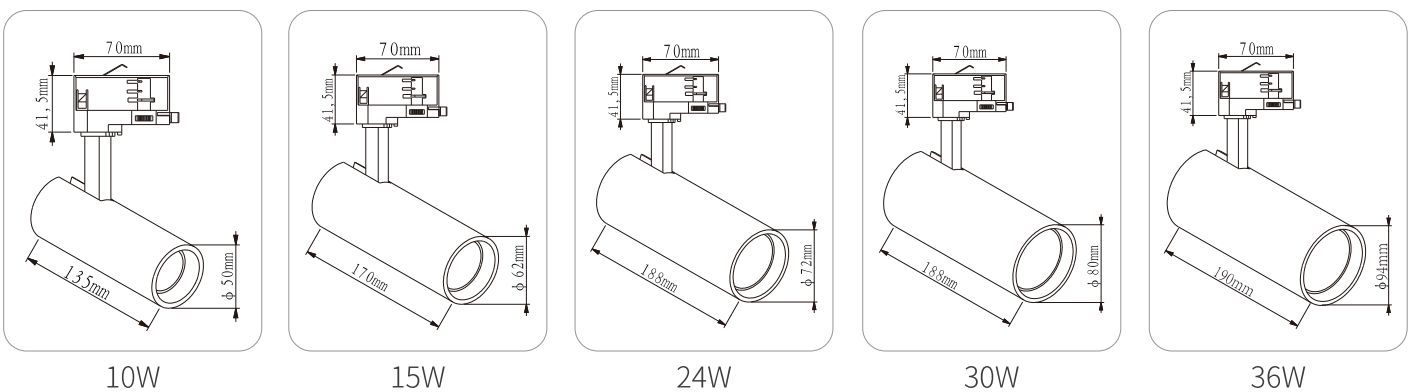
On/Off, Triac Dim, DALI

Specification / 规格参数

Model	Input	Power	Luminous Flux
CH-GD16P10B	220V-240VAC	10W	700lms
CH-GD16P15B	220V-240VAC	15W	1100lms
CH-GD16P25B	220V-240VAC	24W	1900lms
CH-GD16P30B	220V-240VAC	30W	2400lms
CH-GD16P35B	220V-240VAC	36W	2800lms

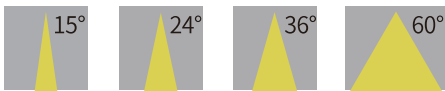


Dimensions / 尺寸



PRODUCT PARAMETERS

Beam Angle / 发光角度



Color Temperature / 色温

2700K, 3000K, 4000K, 6000K, CCT Turnable

LED / 光源

Epistar, CREE, Citizen, , Bridgelux Ra > 90

LED Driver / 驱动

Lifud , Philip , Osram

Track Adapter / 导轨头

2wires, 3wires, 4wires, 6wires

Life Span / 寿命

50000Hours

Control Method / 控制方式

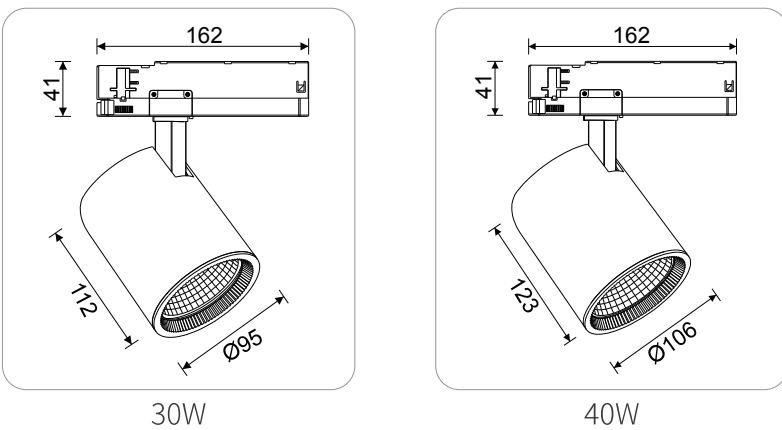
On/Off, Triac Dim, DALI

Specification / 规格参数

Model	Input	Power	Luminous Flux
CH-GD8811C	220V-240VAC	10W	900lms
CH-GD8812C	220V-240VAC	15W	1300lms
CH-GD8813C	220V-240VAC	24W	2100lms
CH-GD8814C	220V-240VAC	30W	2700lms
CH-GD8815C	220V-240VAC	36W	3200lms



Dimensions / 尺寸

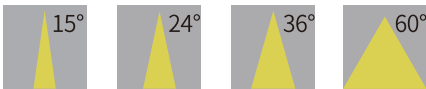


30W

40W

PRODUCT PARAMETERS

Beam Angle / 发光角度



Color Temperature / 色温

2700K, 3000K, 4000K, 6000K

LED / 光源

Citizen / CREE / Bridgelux / Philips

Ra > 90

LED Driver / 驱动

Osram / Global

Track Adapter / 导轨头

3 wires / 4 wires / 6 wires

Life Span / 寿命

50000Hours

Control Method / 控制方式

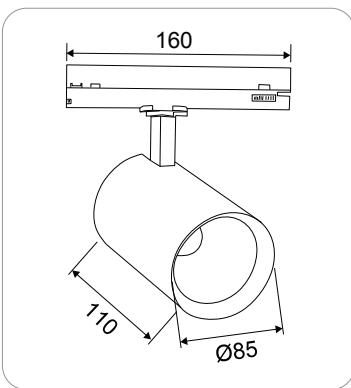
On/Off, Triac Dim, DALI

Specification / 规格参数

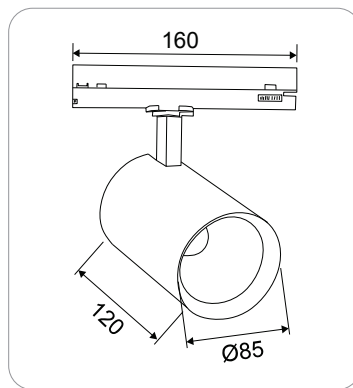
Model	Input	Power	Luminous Flux
CH-S6087	220V-240VAC	30W	3000lms/ 3900lms
CH-S6088	220V-240VAC	40W	4000lms / 5200lms



Dimensions / 尺寸



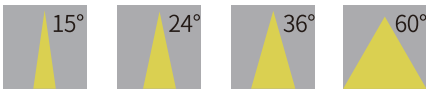
30W



36W

PRODUCT PARAMETERS

Beam Angle / 发光角度



Color Temperature / 色温

2700K, 3000K, 4000K, 6000K, CCT Turnable

LED / 光源

Citizen / CREE / Bridgelux / Philips

Ra > 90

LED Driver / 驱动

Osram / Global

Track Adapter / 导轨头

2 wires / 3 wires / 4 wires / 6 wires

Life Span / 寿命

50000Hours

Control Method / 控制方式

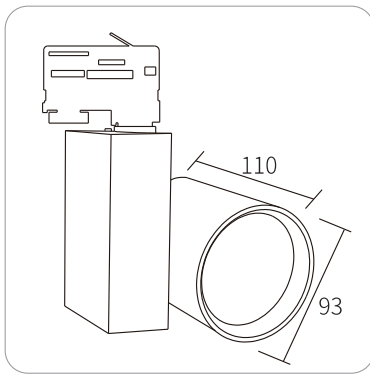
On/Off, Triac Dim, DALI

Specification / 规格参数

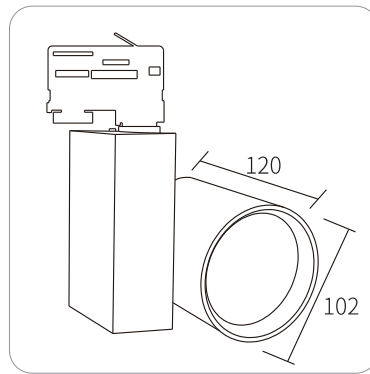
Model	Input	Power	Luminous Flux
CH-S6085	220V-240VAC	30W	3000lms / 3600lms
CH-S6086	220V-240VAC	36W	3600lms / 4300lms



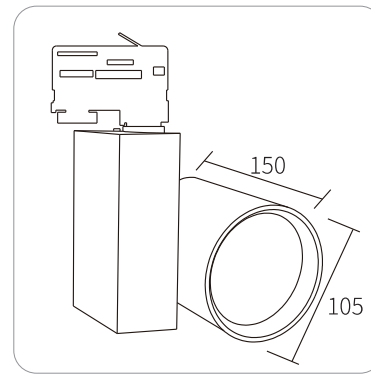
Dimensions / 尺寸



30W



40W



50W / 60W

PRODUCT PARAMETERS

Beam Angle / 发光角度



Color Temperature / 色温

2700K, 3000K, 4000K, 6000K

LED / 光源

Epistar, CREE, Citizen, Bridgelux Ra > 80, 90

LED Driver / 驱动

Lifud / Osram / Philips

Track Adapter / 导轨头

3 Phase 4 wires / 6 wires

Life Span / 寿命

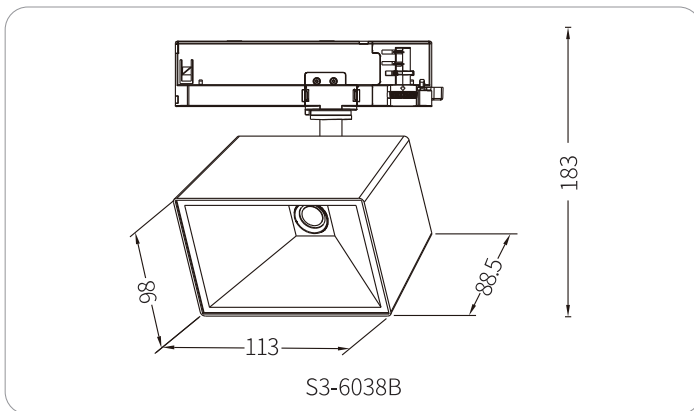
50000Hours

Specification / 规格参数

Model	Input	Power	Luminous Flux
CH-GD8807	220V-240V	30W	2700lms
CH-GD8808	220V-240V	40W	3600lms
CH-GD8809	220V-240V	50W	4500lms
CH-GD8810	220V-240V	60W	5400lms

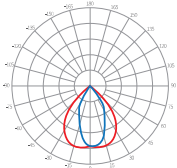


Dimensions / 尺寸



PRODUCT PARAMETERS

Beam Angle / 发光角度



85x50

Color Temperature / 色温

2700K, 3000K, 4000K, 6000K

LED / 光源

Lumileds, Bridgelux, Epistar Ra>80, 90

LED Driver / 驱动

Osram / Philips / Global / VS

Track Adapter / 导轨头

3 Phase 4 wires / 6 wires

Control Method / 控制方式

On/Off, Dali

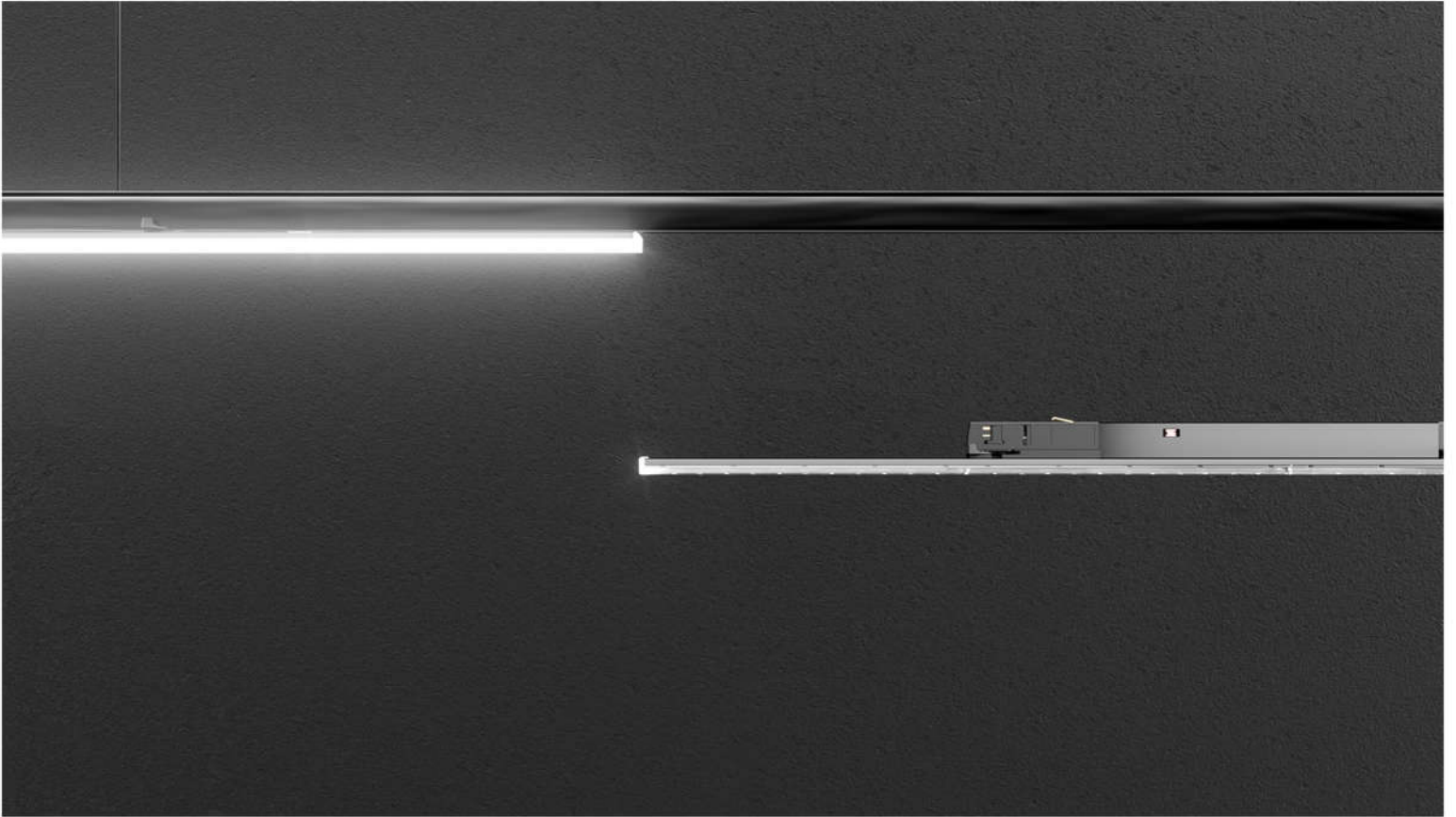
Life Span / 寿命

50000Hours

Specification / 规格参数

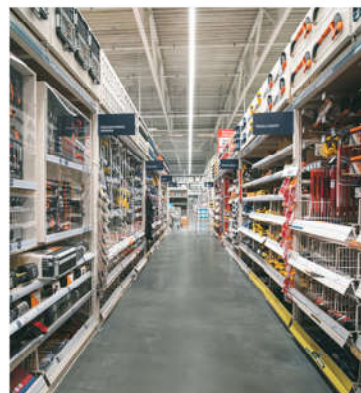
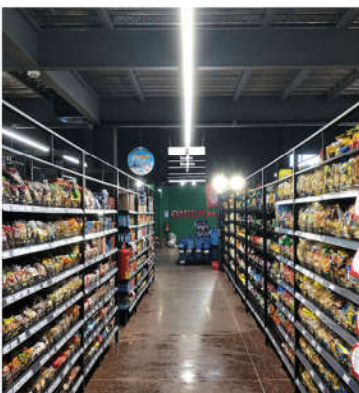
Model	Input	Power	Luminous Flux	Efficiency
CH-S6038	175-265VAC	32W	4400lms	140lm/w

LED Linear Track Lighting System



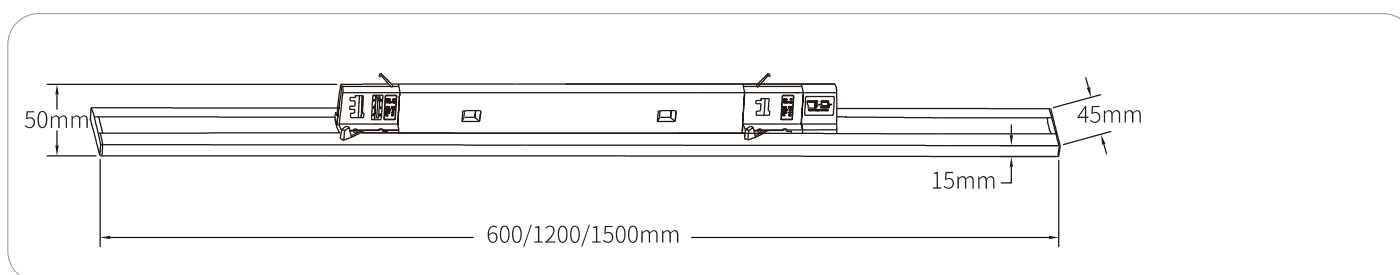
Application

Commercial.Industrial.Warehouse.Other indoor lighting



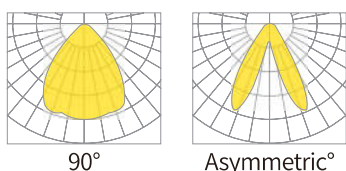


Dimensions / 尺寸



PRODUCT PARAMETERS

Beam Angle / 发光角度



Color Temperature / 色温

3000K, 4000K, 6000K / CCT

LED / 光源

Lumileds, Bridgelux, Epistar Ra>80, 90

LED Driver / 驱动

Track Adapter Integrated

Track Adapter / 导轨头

3 Phase 4 wires

Control Method / 控制方式

On/Off

Life Span / 寿命

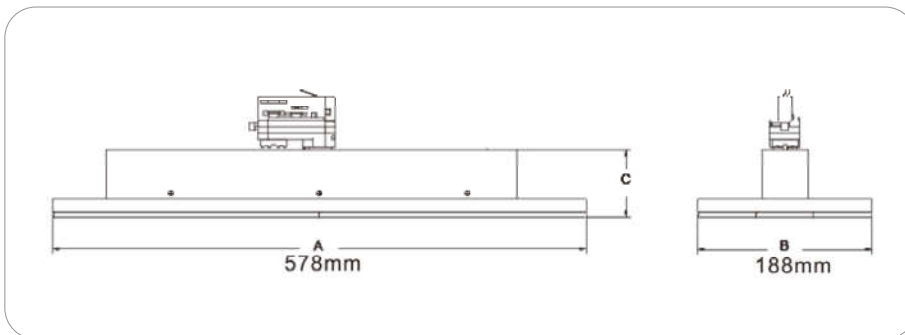
50000Hours

Specification / 规格参数

Model	Input	Power	Luminous Flux	Efficiency
TH-TL-106-30	175-265VAC	15W/20W/25W/30W	5000lms	160lm-170lm/w
TH-TL-112-55	175-266VAC	40W/45W/50W/55W	9000lms	160lm-170lm/w
TH-TL-115-55	175-267VAC	40W/45W/50W/55W	9000lms	160lm-170lm/w

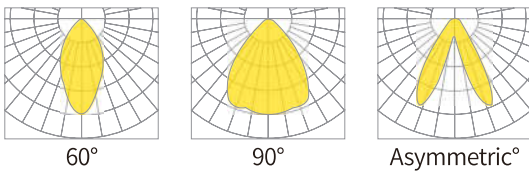


Dimensions / 尺寸



PRODUCT PARAMETERS

Beam Angle / 发光角度



Color Temperature / 色温

2700K, 3000K, 4000K, 6000K

LED / 光源

Lumileds, Bridgelux, Epistar Ra>80, 90

LED Driver / 驱动

Lifud / Osram / Philips

Track Adapter / 导轨头

3 Phase 4 wires

Control Method / 控制方式

On/Off, Dali

Life Span / 寿命

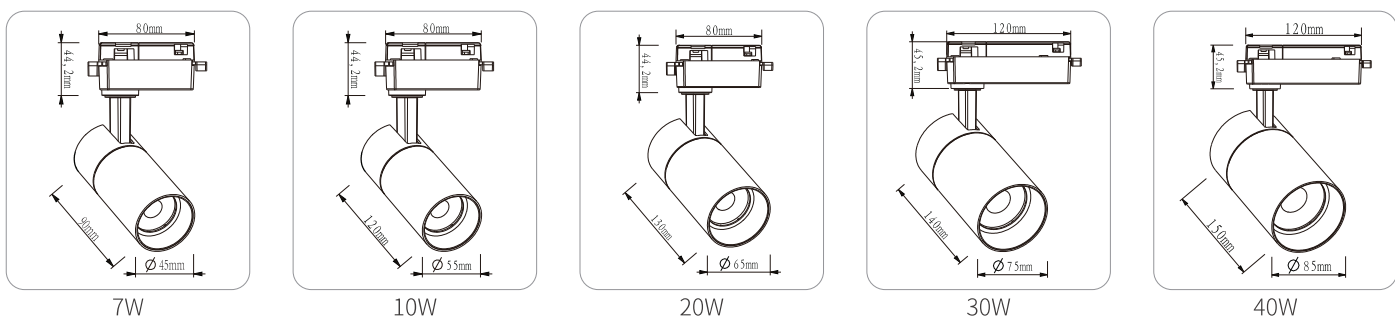
50000Hours

Specification / 规格参数

Model	Input	Power	Luminous Flux	Efficiency
CH-TK01-68WD Power adjustable	175-265VAC	44W/52W/60W/68W	10880lms	160lm/w



Dimensions / 尺寸



PRODUCT PARAMETERS

Beam Angle / 发光角度



Color Temperature / 色温

2700K, 3000K, 4000K, 5000K, 6000K

LED / 光源

Epistar Ra > 80

LED Driver / 驱动

M-rainbow

Track Adapter / 导轨头

Single Phase 2 wires / 3 wires

Life Span / 寿命

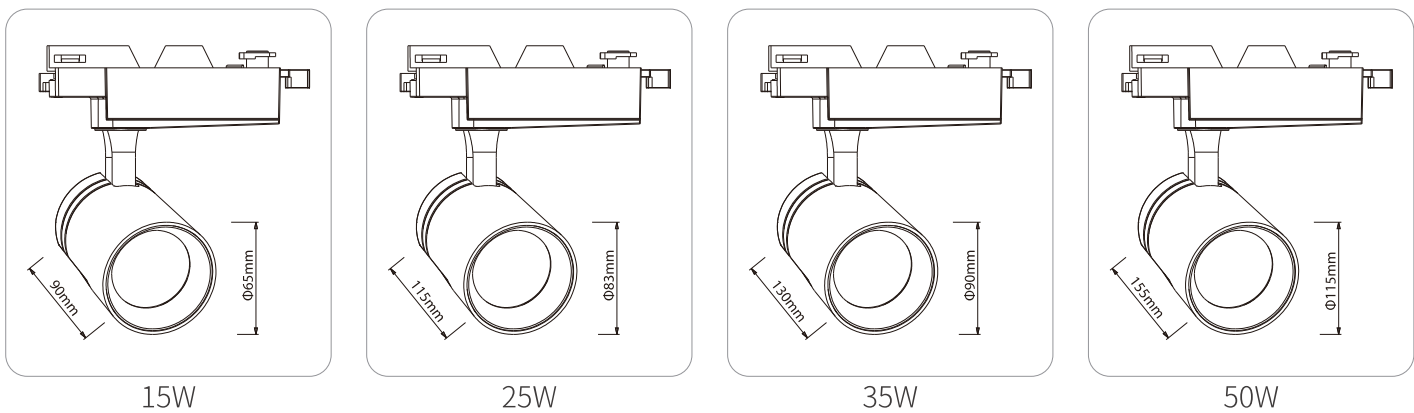
30000Hours

Specification / 规格参数

Model	Input	Power	Luminous Flux
CH-GD-2107	220V-240V	7W	630lms
CH-GD-2110	220V-240V	10W	800lms
CH-GD-2120	220V-240V	20W	1600lms
CH-GD-2130	220V-240V	30W	2400lms
CH-GD-2140	220V-240V	40W	3200lms



Dimensions / 尺寸



PRODUCT PARAMETERS

Beam Angle / 发光角度



Color Temperature / 色温

2700K, 3000K, 4000K, 6000K

LED / 光源

Epistar Ra > 80

LED Driver / 驱动

M-rainbow / Lifud

Track Adapter / 导轨头

Single Phase 2 wires / 3 wires

Life Span / 寿命

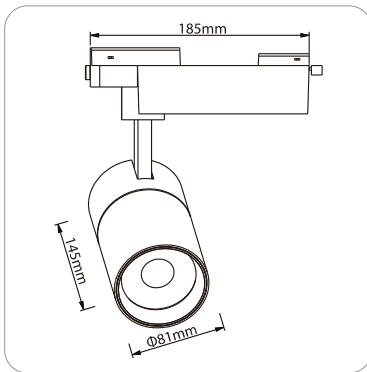
30000Hours

Specification / 规格参数

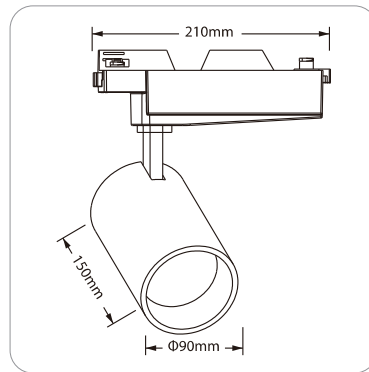
Model	Input	Power	Luminous Flux
CH-GD8801A	220V-240VAC	15W	1350lms
CH-GD8801B	220V-240VAC	25W	2250lms
CH-GD8801C	220V-240VAC	35W	3150lms
CH-GD8801D	220V-240VAC	50W	4500lms



Dimensions / 尺寸



30W



40W

PRODUCT PARAMETERS

Beam Angle / 发光角度



Color Temperature / 色温

2700K, 3000K, 4000K, 6000K

LED / 光源

Epistar Ra > 80, 90

LED Driver / 驱动

Lifud

Track Adapter / 导轨头

Single Phase 2 wires / 3 wires / 4 wires

Life Span / 寿命

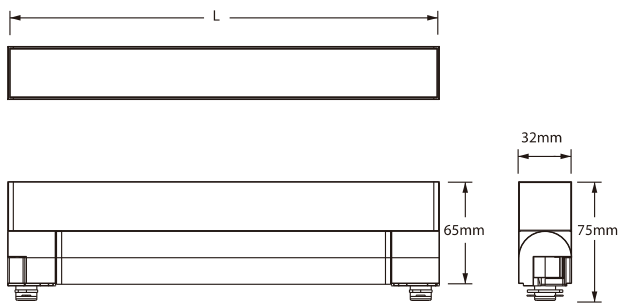
30000Hours

Specification / 规格参数

Model	Input	Power	Luminous Flux
CH-GD-3006B	220V-240V	30W	2700lms
CH-GD-4006B	220V-240V	40W	3600lms



Dimensions / 尺寸



PRODUCT PARAMETERS

Beam Angle / 发光角度



Color Temperature / 色温

2700K, 3000K, 4000K, 6000K

LED / 光源

Epistar Ra > 80, 90

LED Driver / 驱动

M-Rainbow

Track Adapter / 导轨头

2 wires / 3 wires

Life Span / 寿命

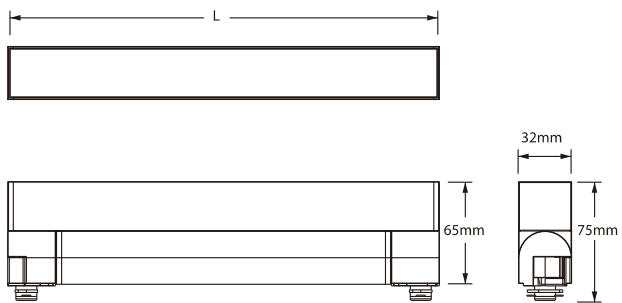
30000Hours

Specification / 规格参数

Model	Input	Power	Luminous Flux	Length
CH-GD-GS15	220-240VAC	15W	1500lms	270mm
CH-GD-GS22	220-240VAC	22W	2200lms	400mm
CH-GD-GS30	220-240VAC	30W	3000lms	532mm



Dimensions / 尺寸



PRODUCT PARAMETERS

Beam Angle / 发光角度



Color Temperature / 色温

2700K, 3000K, 4000K, 6000K

LED / 光源

Epistar Ra > 80, 90

LED Driver / 驱动

M-Rainbow

Track Adapter / 导轨头

2 wires / 3 wires

Life Span / 寿命

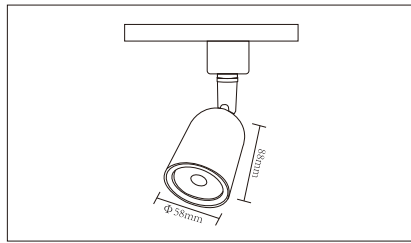
30000Hours

Specification / 规格参数

Model	Input	Power	Luminous Flux	Length
CH-GD-FG15	220-240VAC	15W	1500lms	270mm
CH-GD-FG22	220-240VAC	22W	2200lms	400mm
CH-GD-FG30	220-240VAC	30W	3000lms	532mm



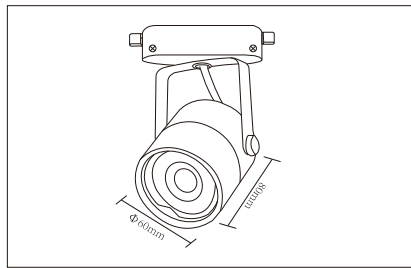
Dimensions / 尺寸



Model	CH-2527GU10
Base	GU10
Material	Plastic
Track Adapter	2wires
Color	White/Black



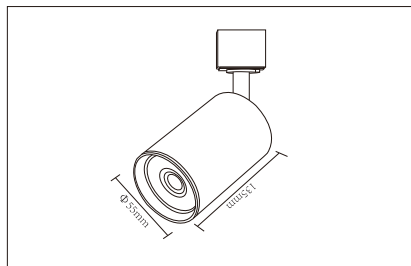
Dimensions / 尺寸



Model	CH-5401GU10
Base	GU10
Material	Iron
Track Adapter	2wires
Color	White/Black



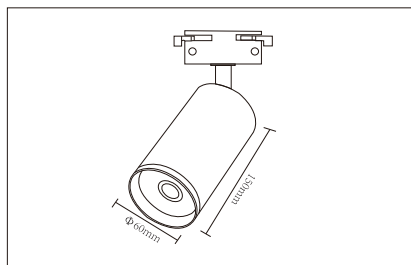
Dimensions / 尺寸



Model	CH-2005GU10
Base	GU10
Material	Aluminum
Track Adapter	2wires
Color	White/Black



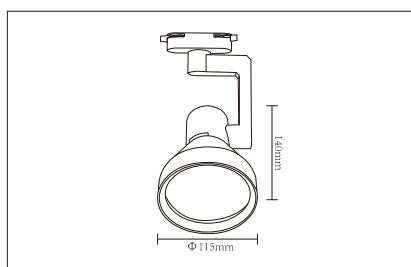
Dimensions / 尺寸



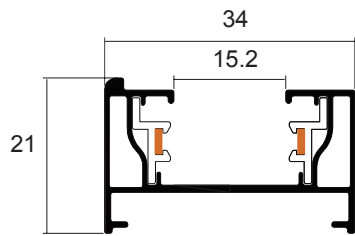
Model	CH-2015GU10
Base	GU10
Material	Aluminum
Track Adapter	2wires
Color	White/Black



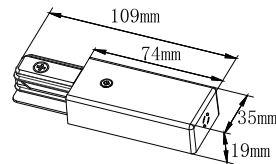
Dimensions / 尺寸



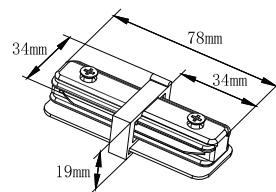
Model	CH-5105GU10
Base	E27
Material	Iron
Track Adapter	2wires
Color	White/Black



Model No. Colour Package



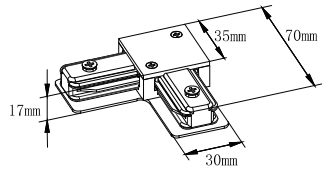
Model No.	Colour	Package
2SP-W	White ○	100
2SP-B	Black ●	100
2SP-S	Silver ●	100



Model No.	Colour	Package
2SMI-W	White ○	200
2SMI-B	Black ●	200
2SMI-S	Silver ●	200



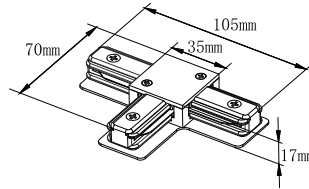
2 Wire L connector



Model No.	Colour	Package
2SL-W	White ○	200
2SL-B	Black ●	200
2SL-S	Silver ●	200



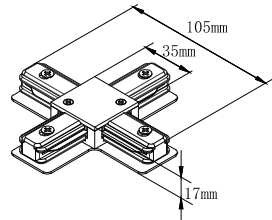
2 Wire T connector



Model No.	Colour	Package
2ST-W	White ○	100
2ST-B	Black ●	100
2ST-S	Silver ●	100



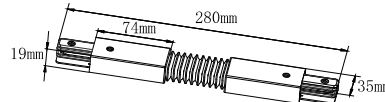
2 Wire X connector



Model No.	Colour	Package
2SX-W	White ○	100
2SX-B	Black ●	100
2SX-S	Silver ●	100



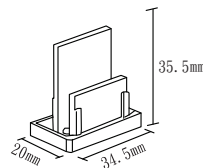
2 Wire flexible connector



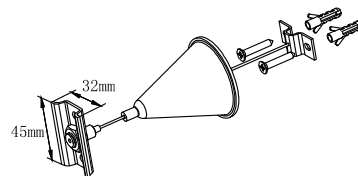
Model No.	Colour	Package
2SF-W	White ○	50
2SF-B	Black ●	50
2SF-S	Silver ●	50



2 Wire end cap



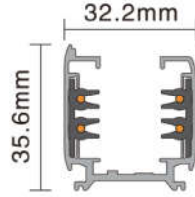
Model No.	Colour	Package
2SE-W	White ○	500
2SE-B	Black ●	500
2SE-S	Silver ●	500



Colour	Package
White ○	100
Black ●	100
Silver ●	100



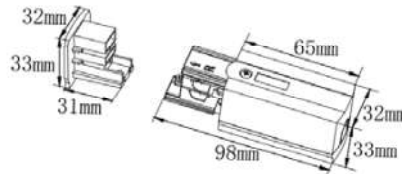
track (Round copper) 4SRT



Model No.	Colour	Package
4SRT-10W	White ○	10
4SRT-10B	Black ●	10
4SRT-10S	Silver ●	10
4SRT-15W	White ○	10
4SRT-15B	Black ●	10
4SRT-15S	Silver ●	10
4SRT-20W	White ○	10
4SRT-20B	Black ●	10
4SRT-20S	Silver ●	10
4SRT-30W	White ○	10
4SRT-30B	Black ●	10
4SRT-30S	Silver ●	10



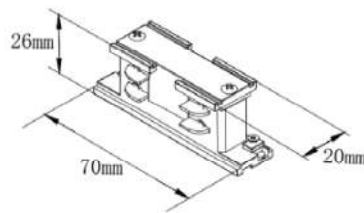
power connector 4SP



Model No.	Colour	Package
4SP-W	White ○	100
4SP-B	Black ●	100
4SP-S	Silver ●	100



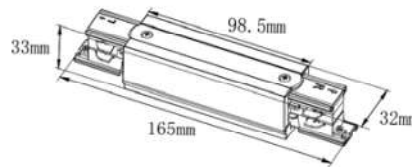
I mini connector 4SMI



Model No.	Colour	Package
4SMI-W	White ○	200
4SMI-B	Black ●	200
4SMI-S	Silver ●	200



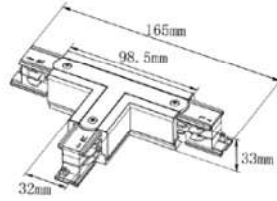
I connector 4SI



Model No.	Colour	Package
4SI-W	White ○	50
4SI-B	Black ●	50
4SI-S	Silver ●	50



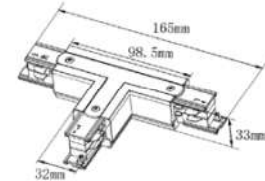
L connector 4SL



Model No.	Colour	Package
4SL-W	White ○	50
4SL-B	Black ●	50
4SL-S	Silver ●	50



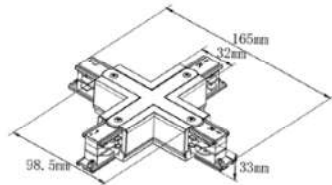
T connector 4ST



Model No.	Colour	Package
4ST-W	White ○	25
4ST-B	Black ●	25
4ST-S	Silver ●	25



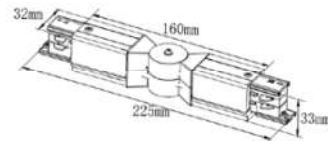
X connector 4SX



Model No.	Colour	Package
4SX-W	White ○	25
4SX-B	Black ●	25
4SX-S	Silver ●	25



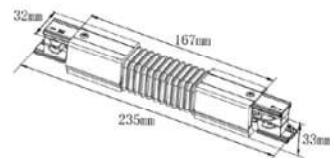
adjustable connector 4SA



Model No.	Colour	Package
4SA-W	White ○	50
4SA-B	Black ●	50
4SA-S	Silver ●	50



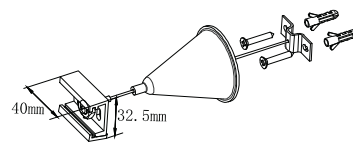
flexible connector 4SF



Model No.	Colour	Package
4SF-W	White ○	50
4SF-B	Black ●	50
4SF-S	Silver ●	50



Suspension Kit 4SK



Colour	Package
White ○	100
Black ●	100
Silver ●	100